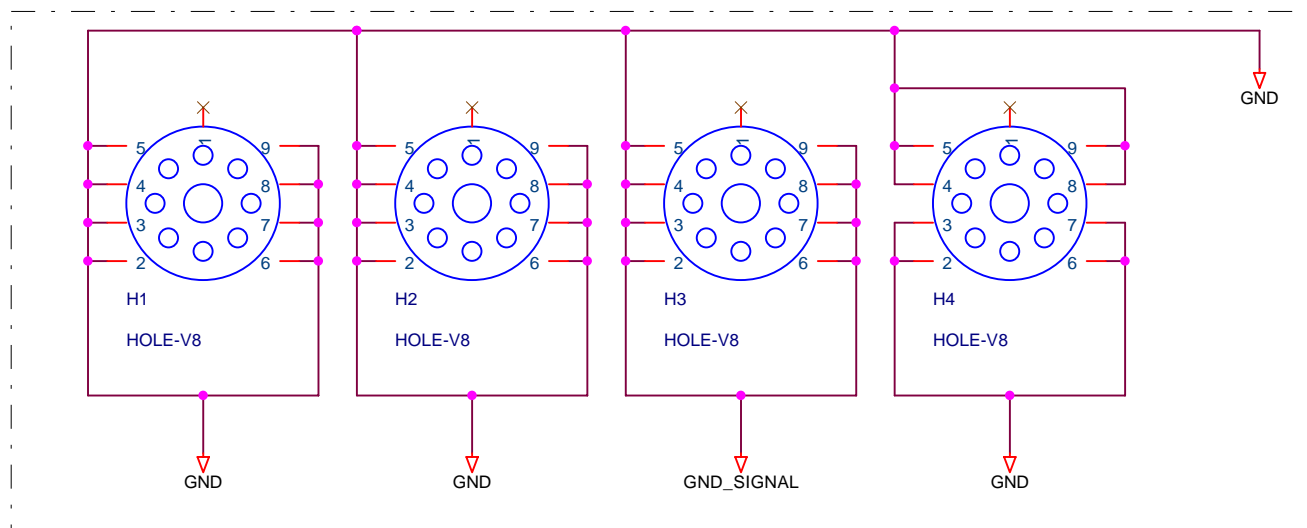
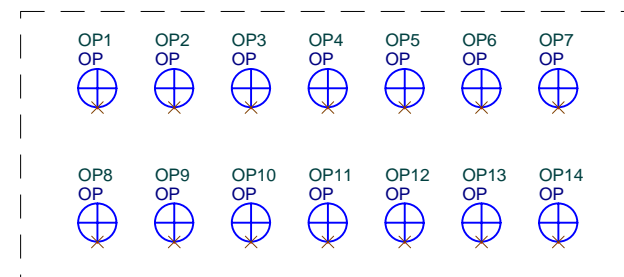


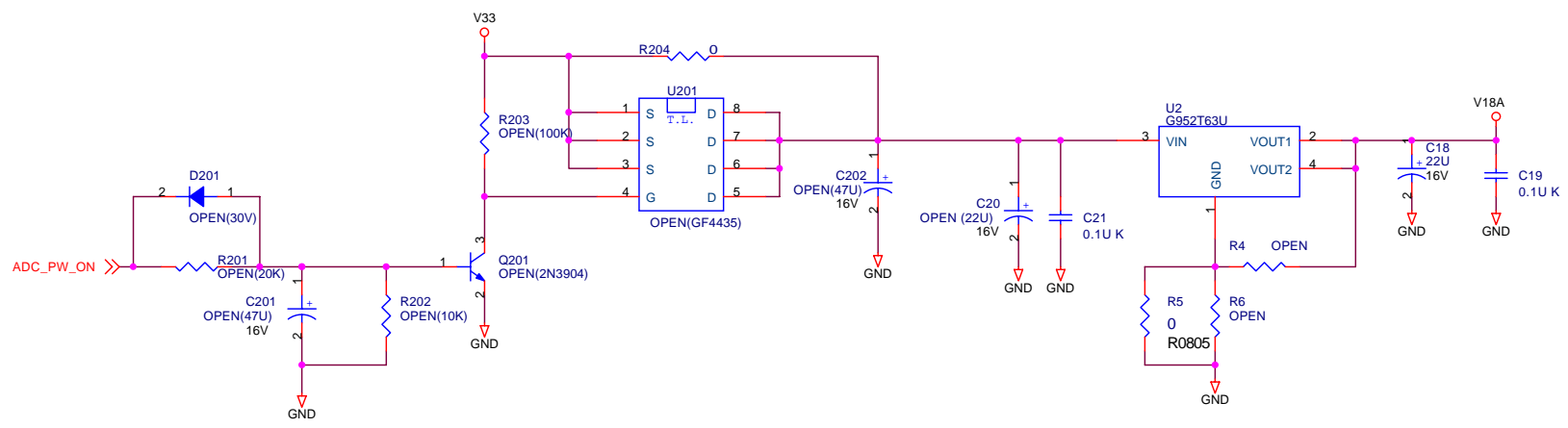
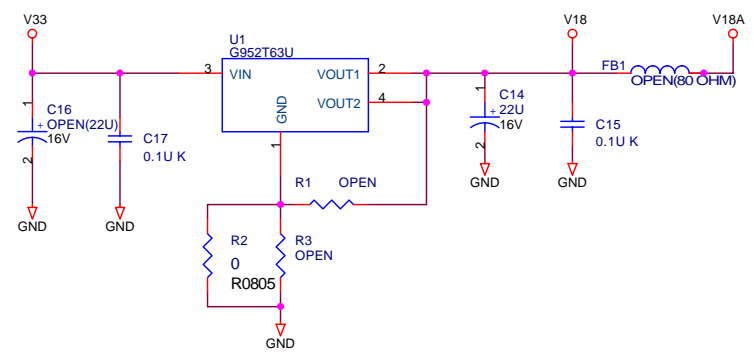
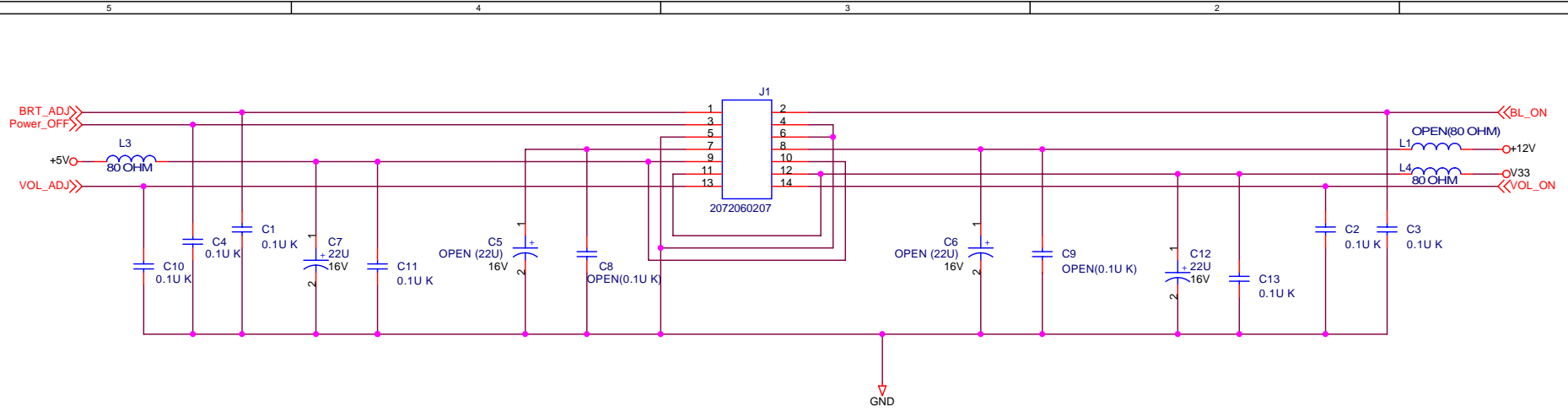
Screw Holes



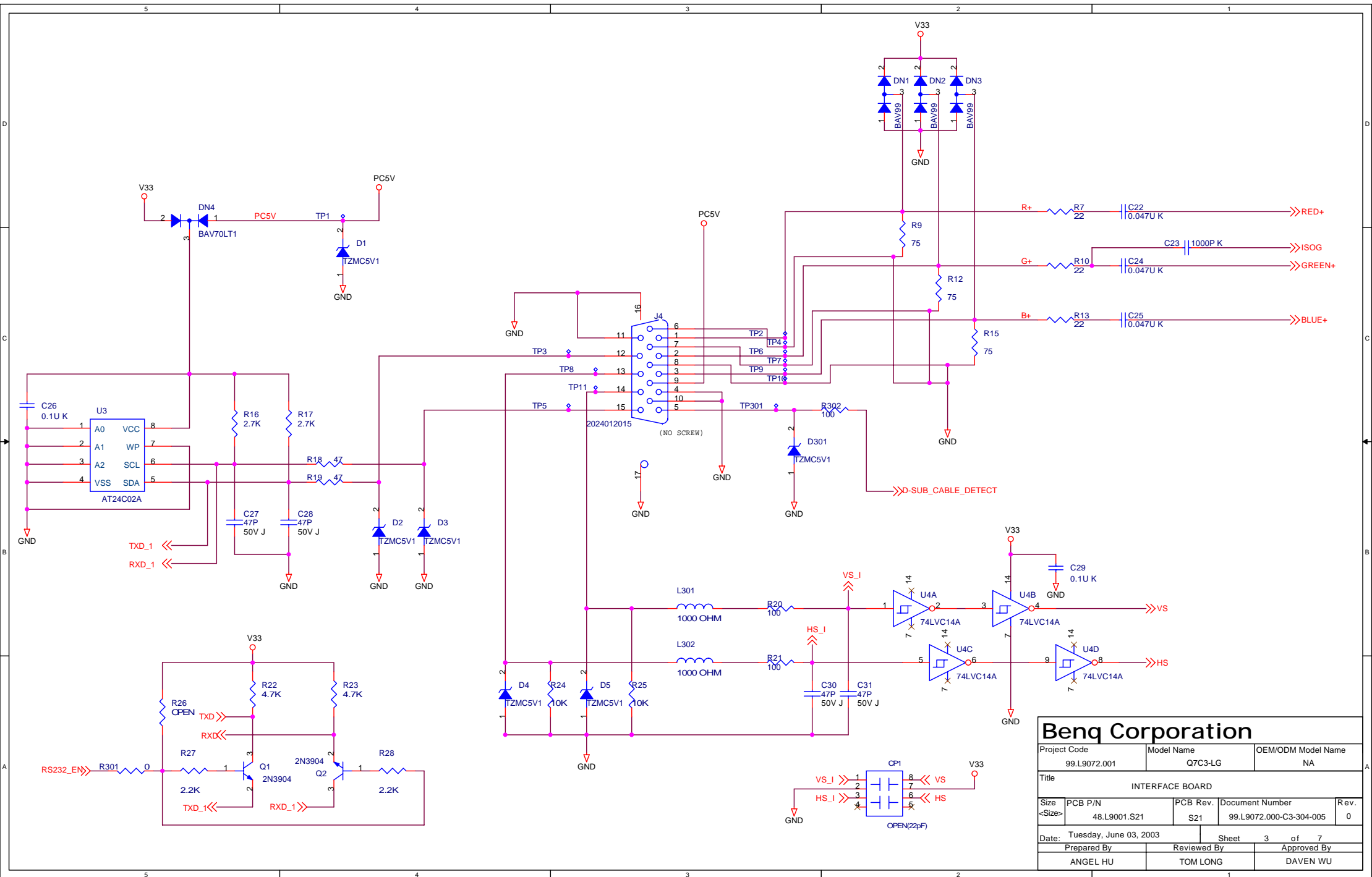
Optical Points



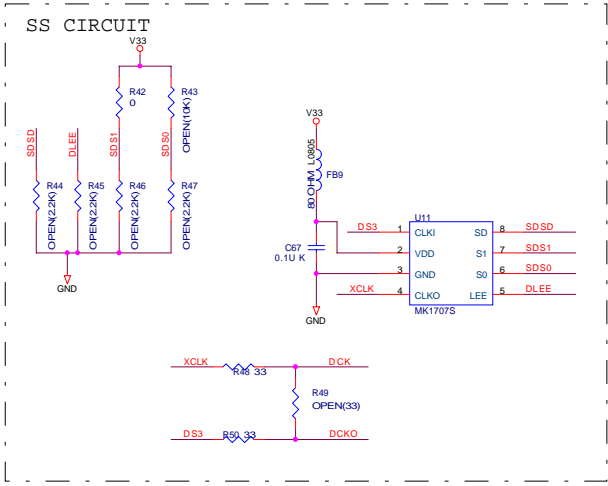
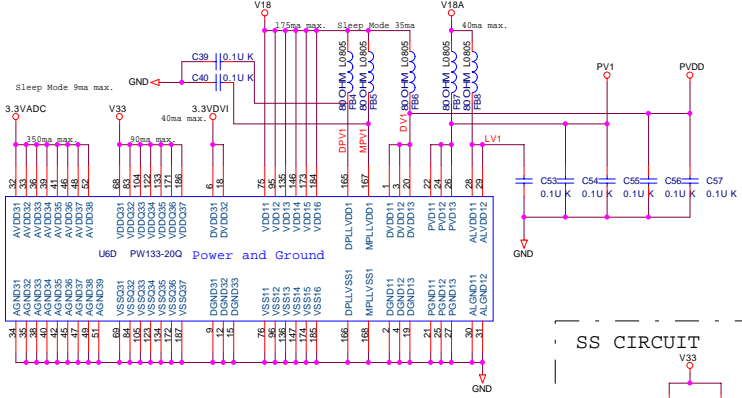
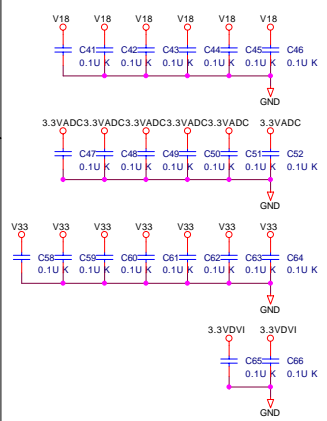
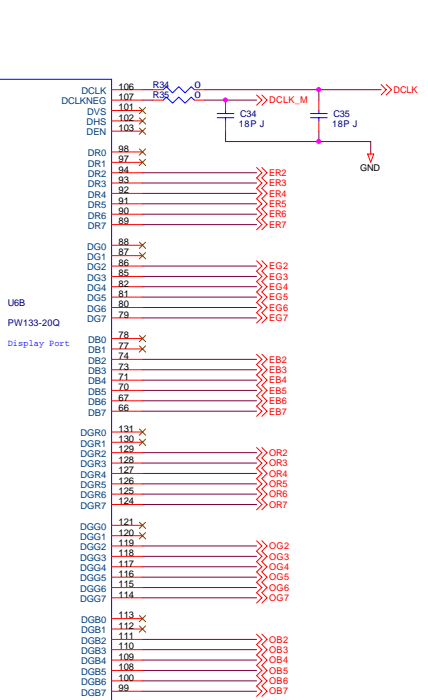
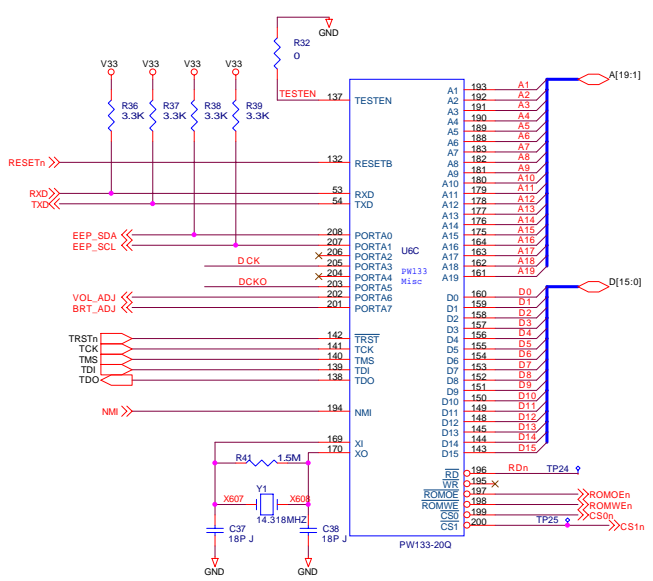
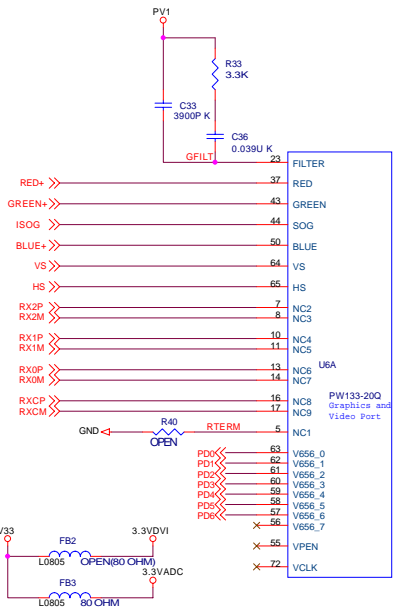
Beng Corporation				
Project Code 99.L9072.001		Model Name Q7C3-LG		OEM/ODM Model Name NA
Title INTERFACE BOARD				
Size <Size>	PCB P/N 48.L9001.S21	PCB Rev. S21	Document Number 99.L9072.000-C3-304-005	Rev. 0
Date: Tuesday, June 03, 2003			Sheet 1 of 7	
Prepared By ANGEL HU		Reviewed By TOM LONG		Approved By DAVEN WU



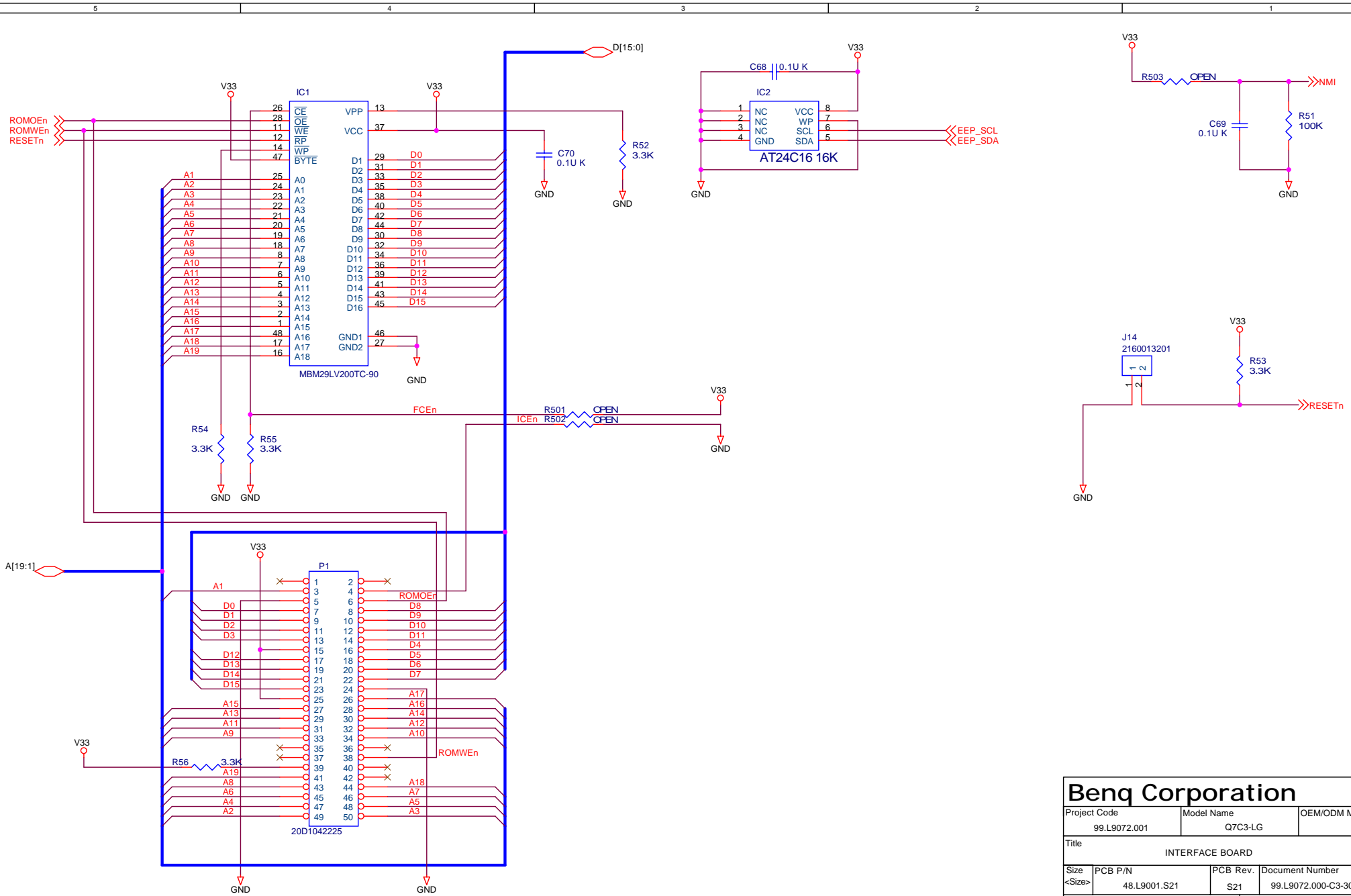
Benq Corporation				
Project Code	Model Name	OEM/ODM Model Name		
99.L9072.001	Q7C3-LG	NA		
Title				
INTERFACE BOARD				
Size	PCB P/N	PCB Rev.	Document Number	Rev.
<Size>	48.L9001.S21	S21	99.L9072.000-C3-304-005	0
Date:	Tuesday, June 03, 2003		Sheet	2 of 7
Prepared By	Reviewed By	Approved By		
ANGEL HU	TOM LONG	DAVEN WU		



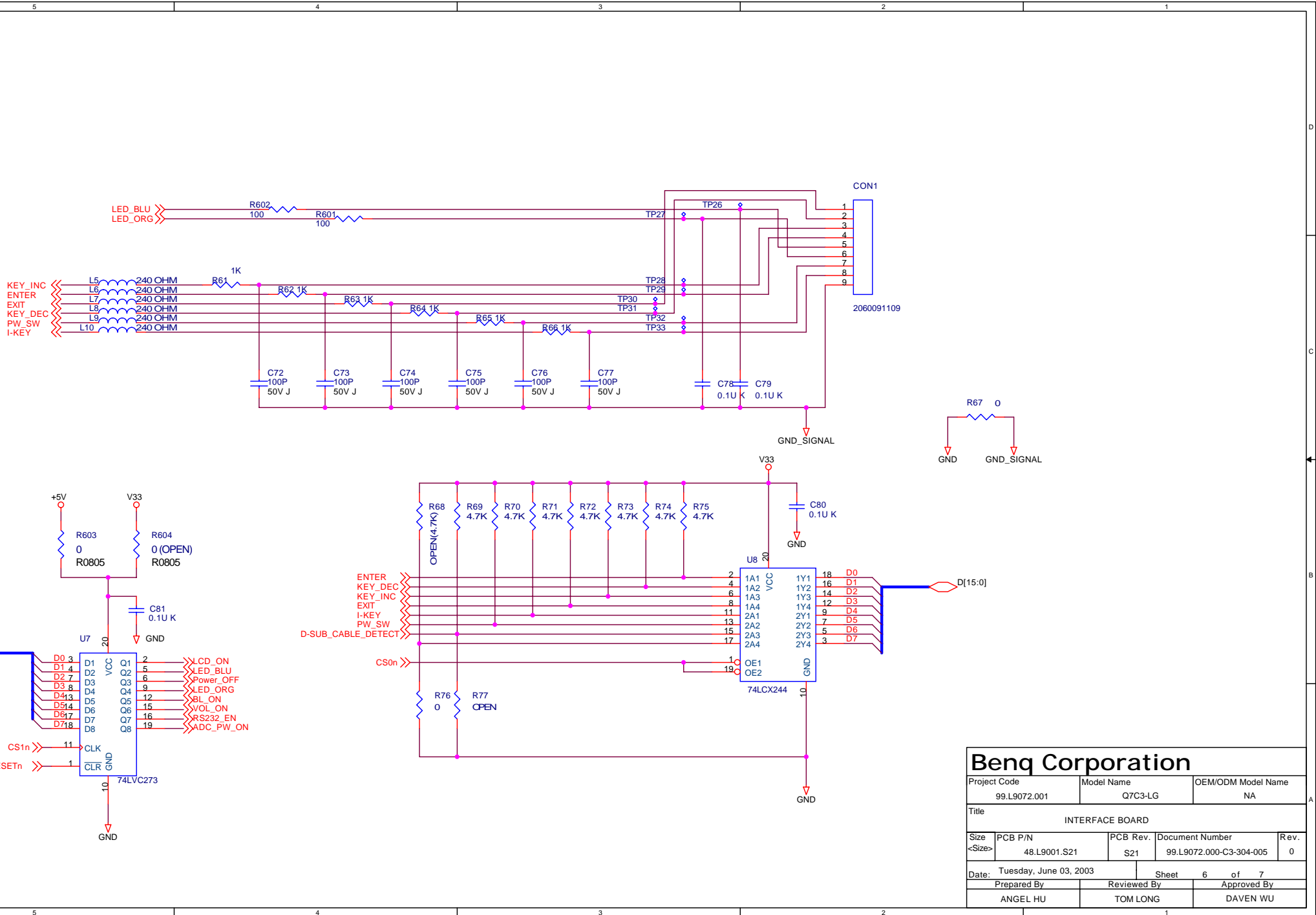
Benq Corporation			
Project Code	Model Name	OEM/ODM Model Name	
99.L9072.001	Q7C3-LG	NA	
Title			
INTERFACE BOARD			
Size	PCB P/N	PCB Rev.	Document Number
<Size>	48.L9001.S21	S21	99.L9072.000-C3-304-005
Date:	Tuesday, June 03, 2003	Sheet	3 of 7
Prepared By	Reviewed By	Approved By	
ANGEL HU	TOM LONG	DAVEN WU	



Benq Corporation			
Project Code	Model Name	OEM/ODM Model Name	
99.L9072.001	Q7C3-LG	NA	
Title			
INTERFACE BOARD			
Size	PCB P/N	PCB Rev.	Document Number
<Size>	48.L8001.S21	S21	99.L9072.000-C3-304-005
Rev.	0		
Date:	Tuesday, June 03, 2003	Sheet	4 of 7
Prepared By	Reviewed By	Approved By	
ANGEL HU	TOM LONG	DAVEN WU	



Benq Corporation				
Project Code	Model Name	OEM/ODM Model Name		
99.L9072.001	Q7C3-LG	NA		
Title				
INTERFACE BOARD				
Size	PCB P/N	PCB Rev.	Document Number	Rev.
<Size>	48.L9001.S21	S21	99.L9072.000-C3-304-005	0
Date:	Tuesday, June 03, 2003		Sheet	5 of 7
Prepared By	Reviewed By	Approved By		
ANGEL HU	TOM LONG	DAVEN WU		



Benq Corporation

Project Code	Model Name	OEM/ODM Model Name		
99.L9072.001	Q7C3-LG	NA		
Title				
INTERFACE BOARD				
Size	PCB P/N	PCB Rev.	Document Number	Rev.
<Size>	48.L9001.S21	S21	99.L9072.000-C3-304-005	0
Date:	Tuesday, June 03, 2003		Sheet	6 of 7
Prepared By	Reviewed By	Approved By		
ANGEL HU	TOM LONG	DAVEN WU		

