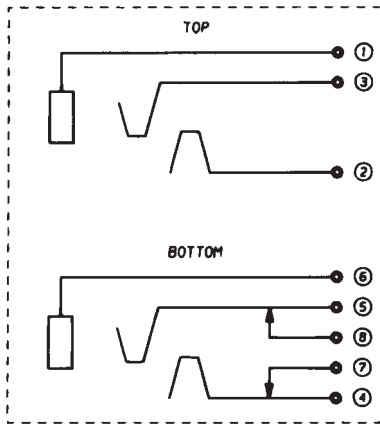
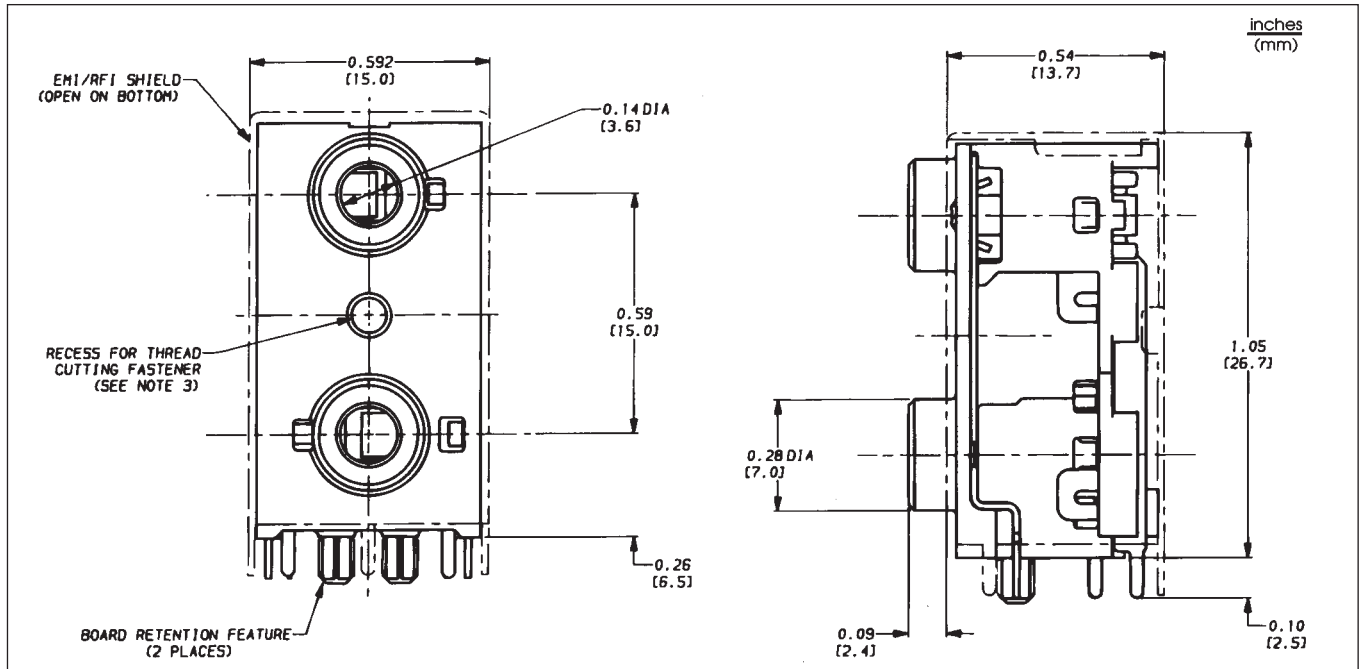
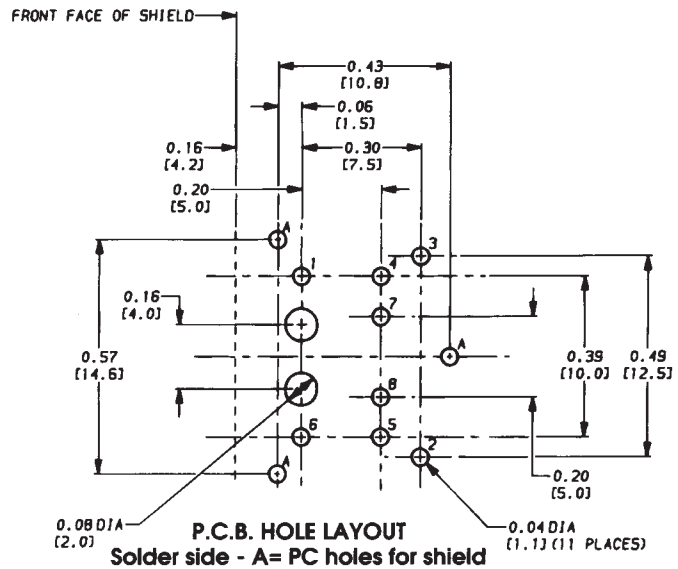


3.5 mm DUAL STEREO JACK



SCHEMATIC



P.C.B. HOLE LAYOUT
Solder side - A= PC holes for shield

DIMENSIONS ARE FOR REFERENCE ONLY $\frac{\text{Inch}}{\text{(mm)}}$

NOTE: Contact your Switchcraft Representative for price and delivery.