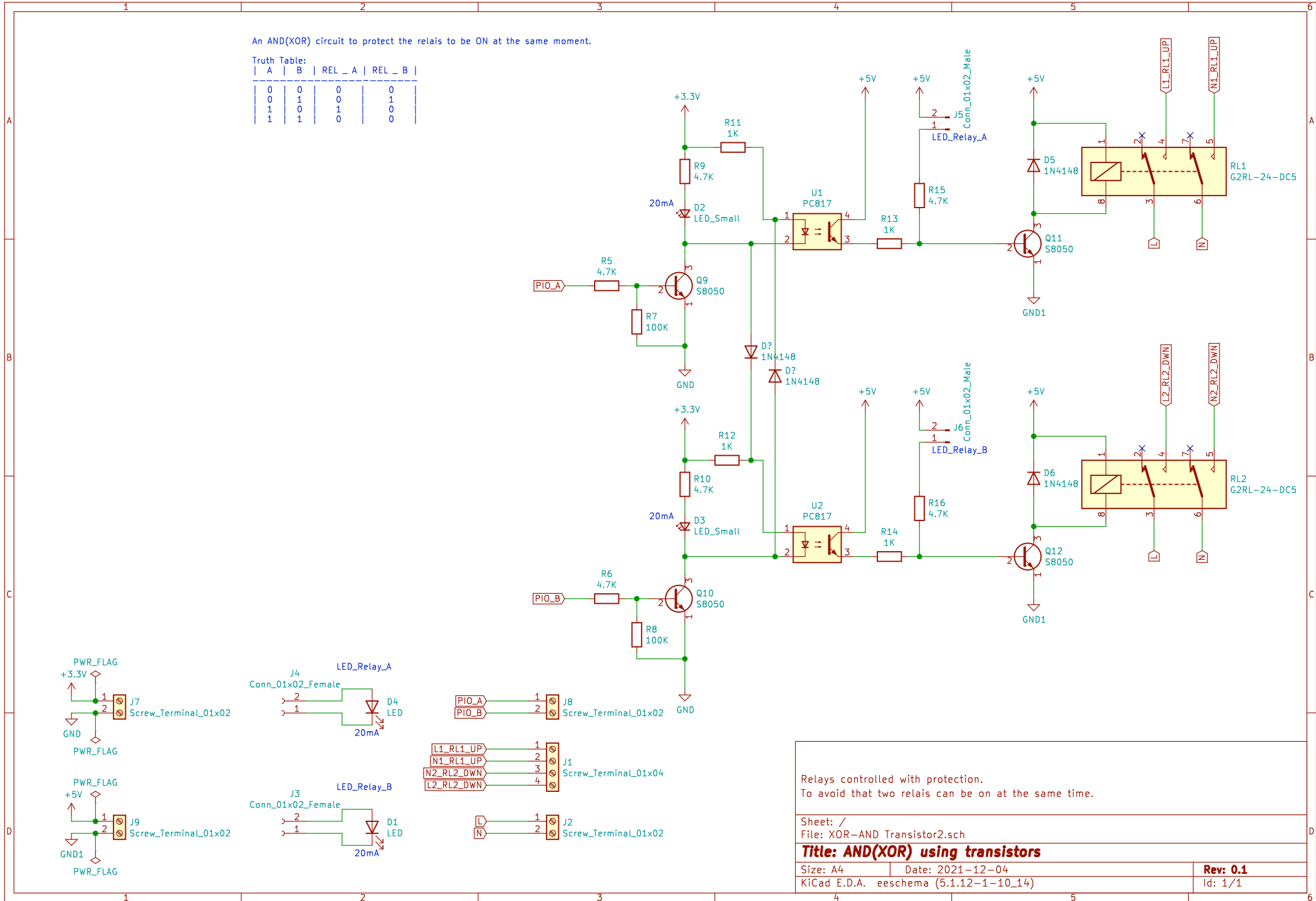


An AND(XOR) circuit to protect the relays to be ON at the same moment.

Truth Table:			
A	B	REL_A	REL_B
0	0	0	0
0	1	0	1
1	0	1	0
1	1	0	0



Relays controlled with protection.  
To avoid that two relays can be on at the same time.

Sheet: /  
File: XOR-AND Transistor2.sch  
**Title: AND(XOR) using transistors**

Size: A4	Date: 2021-12-04	Rev: 0.1
KiCad E.D.A. eeschema (5.1.12-1-10_14)		Id: 1/1