



FAGOR ELECTRONICS

High Voltage Plastic Rectifier

T-01-17

Dimensions in mm.	Plastic Case	Voltage 7.000 - 12.000 V.
		<b>Current</b> 350 mA
		<ul style="list-style-type: none"> <li>• Low cost</li> <li>• Diffused junction</li> <li>• High current capability</li> <li>• The plastic material carries U/L recognition 94 V-0</li> <li>• Terminals: Axial Leads</li> </ul>

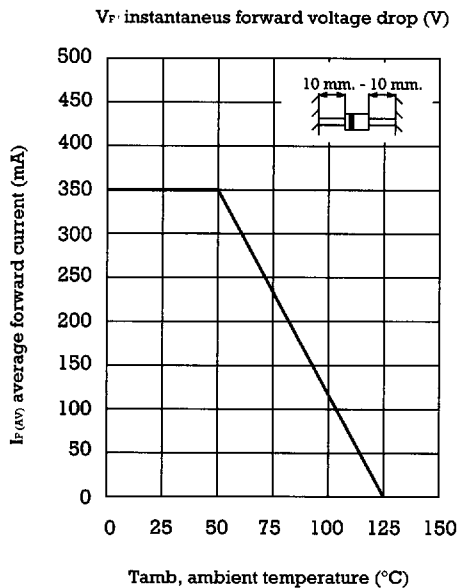
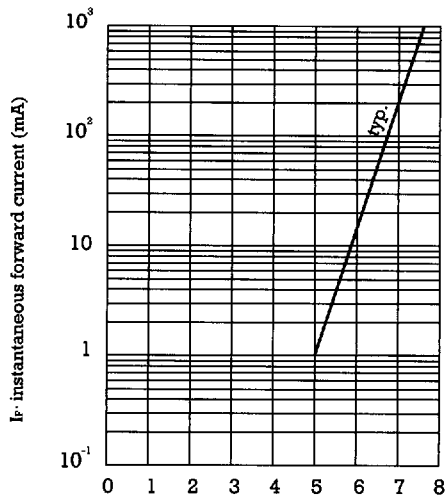
### Maximum Ratings, according to IEC publication No. 134

		HVR3-7	HVR3-9	HVR3-12
$V_{RRM}$	Peak recurrent reverse voltage (V)	7.000	9.000	12.000
$I_{F(AV)}$	Forward current at $T_{amb} = 50^\circ\text{C}$	350 mA		
$I_{FRM}$	Recurrent peak forward current	10 A		
$I_{FSM}$	8.3 ms. peak forward surge current	50 A		
$T_j$	Max. operating temperature	+ 125°C		
$T_{stg}$	Storage temperature range	- 20 + 125 °C		

### Electrical Characteristics at $T_{amb} = 25^\circ\text{C}$

$V_F$	Max. forward voltage drop at $I_F = 350\text{ mA}$	8.5 V
$I_R$	Max. reverse current at $V_{RRM}$	5 $\mu\text{A}$

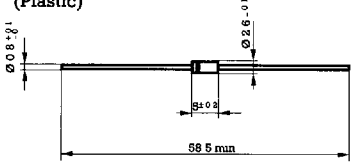
FAGOR ELECTRONICS



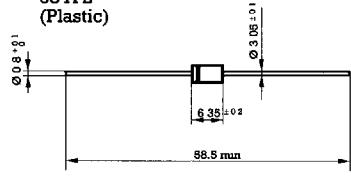
**Package Outlines**

Dimensions in mm.

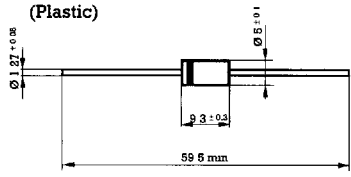
**1** DO-41  
(Plastic)



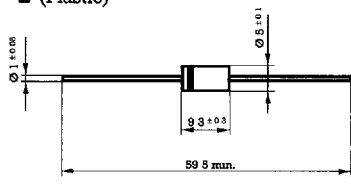
**2** DO-15  
F-126  
58 A 2  
(Plastic)



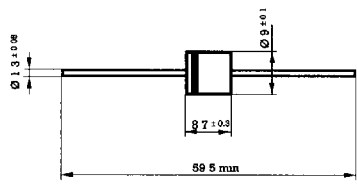
**3** DO-27 A  
DO-201 AD  
(Plastic)



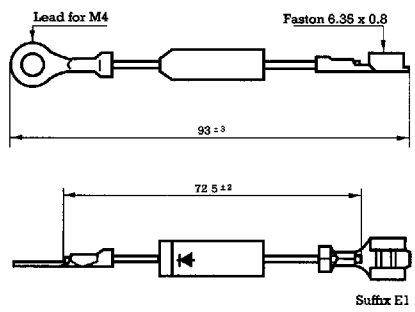
**4** DO-201 AE  
(Plastic)



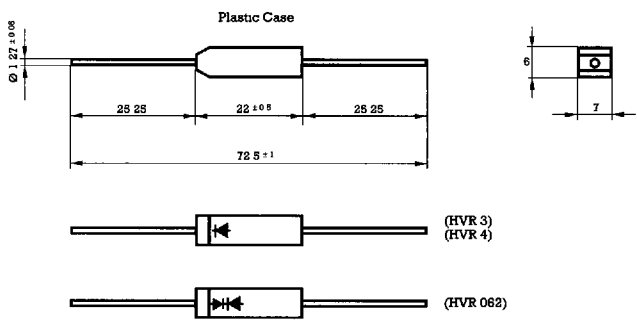
**5** P-6  
(Plastic)



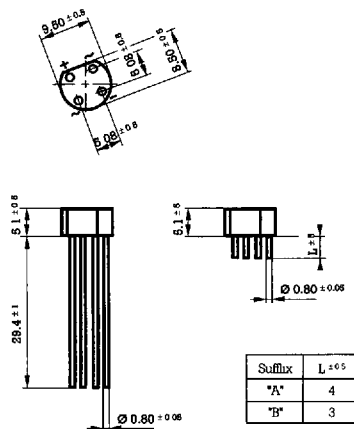
**7**



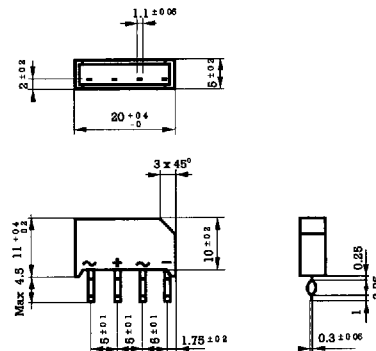
**6**



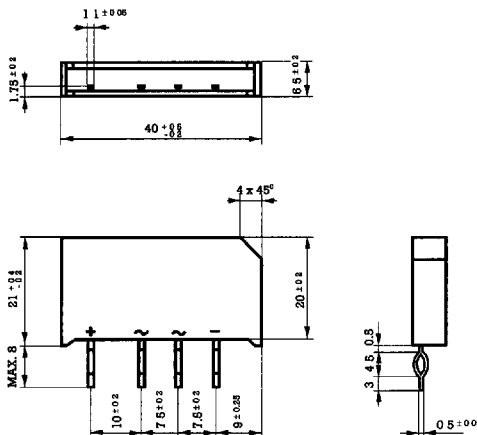
8



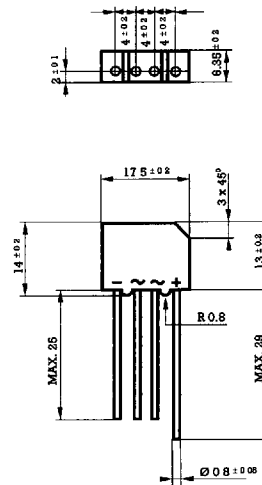
9



10



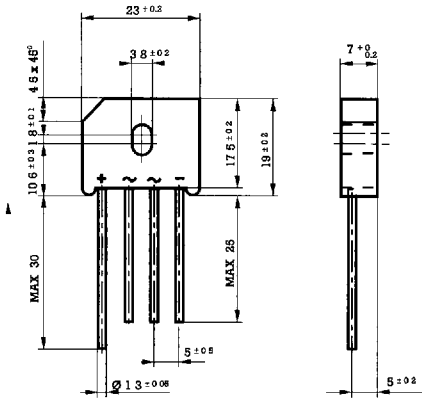
11



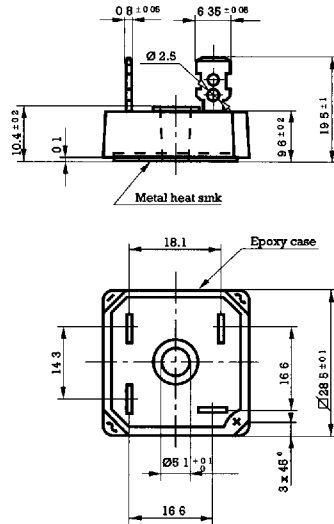
**Package Outlines**

**Dimensions in mm.**

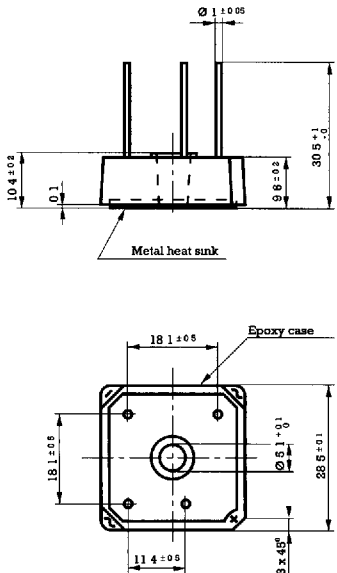
**12**



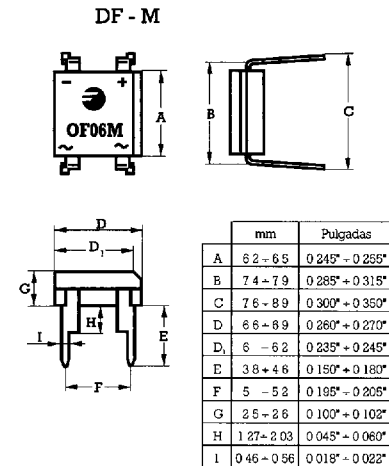
**13**



**14**



**15**

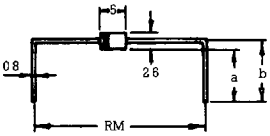
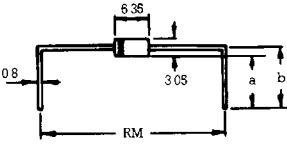
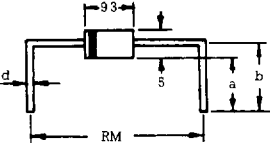
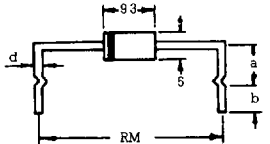
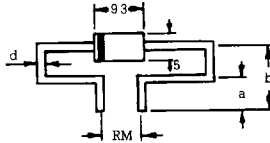
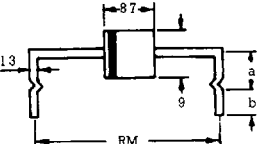




**Standard lead forming specifications**

**Dimensions in mm.**

Plastic Cases

DO-41 	Type	Dimensions				
		a	b	RM		
		C2-3	3 ± 0.5	43 ± 0.5	10 ± 0.5	
		C2-5	10 ± 0.5	113 ± 0.5	10 ± 0.5	
C2-8	4 ± 0.5	53 ± 0.5	10 ± 0.5			
DO-15 	Type	Dimensions				
		a	b	RM		
		C2-3	3 ± 0.5	45 ± 0.5	10 ± 0.5	
		C2-5	10 ± 0.5	115 ± 0.5	10 ± 0.5	
C2-8	4 ± 0.5	55 ± 0.5	10 ± 0.5			
DO-201AD DO-27A (d = 1.27) 	DO-201AE (d = 1)	Type	Dimensions			
			a	b	RM	
			C2-1	35 ± 0.5	6 ± 0.5	15 ± 0.5
			C2-2	4 ± 0.5	65 ± 0.5	15 ± 0.5
			C2-4	75 ± 0.3	10 ± 0.3	17.8 ± 0.15
			C2-6	35 ± 0.5	6 ± 0.5	17.5 ± 0.5
			C2-7	45 ± 0.5	7 ± 0.5	21 ± 0.5
			C2-11	45 ± 0.5	7 ± 0.5	17.5 ± 0.5
			C2-12	125 ± 0.5	15 ± 0.5	17.5 ± 0.5
			C2-13	16 ± 0.5	185 ± 0.5	15.2 ± 0.5
			C2-14	75 ± 0.5	10 ± 0.5	15 ± 0.5
			C2-17	4 ± 0.5	85 ± 0.5	20 ± 0.5
			DO-201AD DO-27A (d = 1.27) 	DO-201AE (d = 1)	Type	Dimensions
a	b	RM				
C6-1	10 ± 0.5	5 ± 0.5				15.2 ± 0.5
C6-2	10 ± 0.5	5 ± 0.5				17.5 ± 0.5
C6-3	7 ± 0.5	5 ± 0.5				21 ± 0.5
C6-4	13.5 ± 0.5	5 ± 0.5				15.2 ± 0.5
C6-5	10 ± 0.5	5 ± 0.5	20 ± 0.5			
DO-201AD DO-27A (d = 1.27) 	DO-201AE (d = 1)	Type	Dimensions			
			a	b	RM	
C4-2	45 ± 0.3	10.5 ± 0.3	7.5 ± 0.5			
P-6 	Type	Dimensions				
		a	b	RM		
		C6-1	10 ± 0.5	5 ± 0.5	15.2 ± 0.5	
		C6-2	10 ± 0.5	5 ± 0.5	17.5 ± 0.5	
		C6-3	7 ± 0.5	5 ± 0.5	21 ± 0.5	
C6-4	13.5 ± 0.5	5 ± 0.5	15.2 ± 0.5			