

Citroën Saxo 1.6L NFZ (TU5JP) BVA BOSCH MP7.2

Manufacturer: Citroën

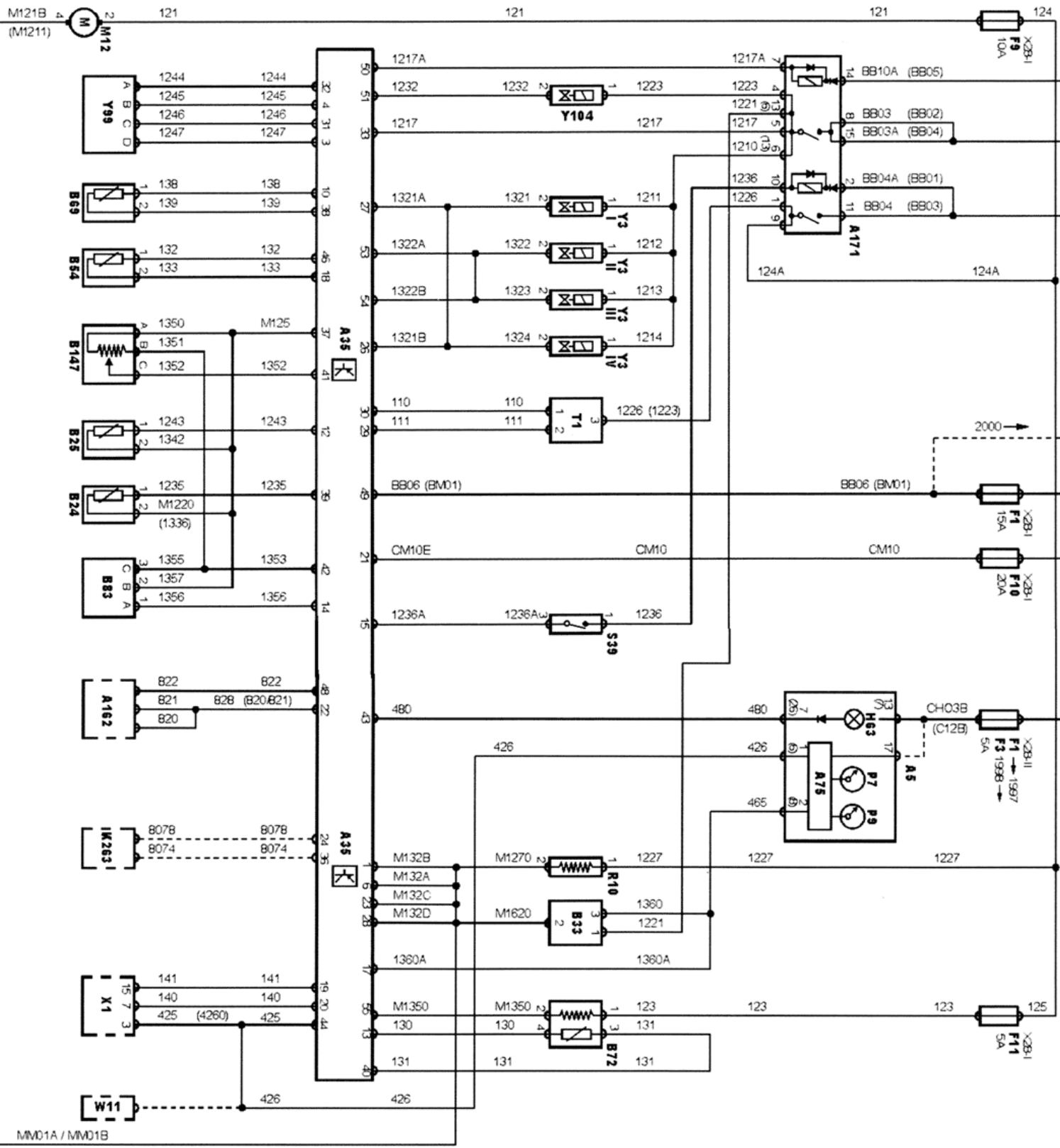
Model: Saxo 1.6L

ECU: BOSCH MP7.2

Engine code: NFZ (TU5JP) BVA

Tuned for: R-Cat AT

Year: 1996-03



15	Ignition switch - ignition ON
30	Battery +
31	Battery -
A5	Instrument panel
A35	Engine control module (ECM)
A75	Instrumentation control module
A162	Immobilizer control module
A171	Relay module
B24	Engine coolant temperature (ECT) sensor
B25	Intake air temperature (IAT) sensor
B33	Vehicle speed sensor (VSS)
B54	Crankshaft position (CKP) sensor
B69	Knock sensor (KS)
B72	Heated oxygen sensor (HO2S)
B83	Manifold absolute pressure (MAP) sensor
B147	Throttle position (TP) sensor
F	Fuse
H63	Engine malfunction indicator lamp (MIL)
M12	Fuel pump
P7	Tachometer
P9	Vehicle speedometer
R10	Throttle body heater
S39	Inertia fuel shut-off (IFS) switch
T1	Ignition coil
X1	Data link connector (DLC)
Y3	Injector
Y99	Idle air control (IAC) valve
Y104	Evaporative emission (EVAP) canister purge valve

bl = blue
br = brown
el = cream
ge = yellow
gn = green
gr = grey
nf = neutral
og = orange
rs = pink
rt = red
sw = black
vi = violet
ws = white
hbl = light blue
hgn = light green
rbr = maroon

