

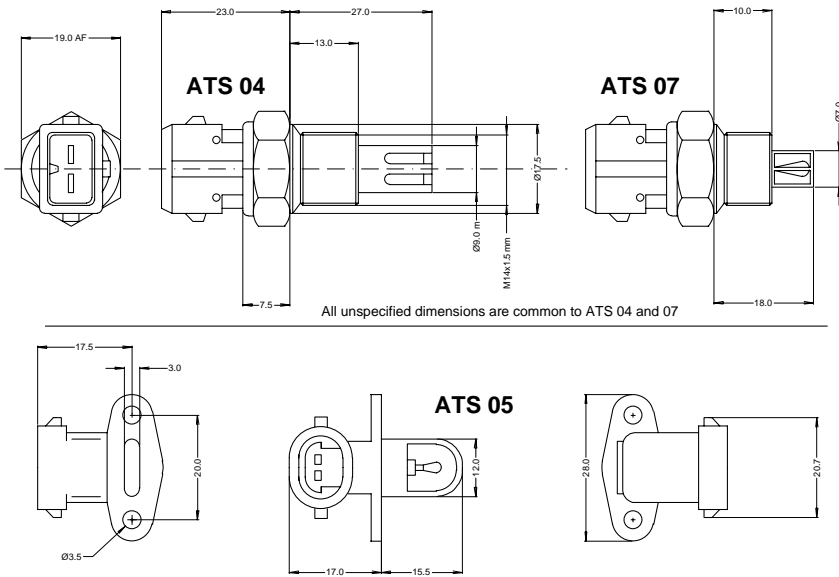
ATS04

NTC Weber Air Temperature Sensor



Description

The ATS04 / 05 / 07 are analogue sensors with a temperature dependant resistor providing a variable resistance across the 2 contacts. Signal is negative temperature coefficient (NTC). Active device is a thermistor fitted coated leads in a hermetically sealed brass / ABS housing.



Temperature °C	Resistance kΩ
-40	100.95
-30	53.1
-20	29.12
-10	16.6
0	9.75
10	5.97
20	3.75
25	3
30	2.42
40	1.6
50	1.08
60	0.75
70	0.53
80	0.38
90	0.28
100	0.2
110	0.15
125	0.1

Technical Data

Resistance 3 kΩ
 @ 25 °C
 Accuracy from nominal values 5% (W/°C)
 @ -40 > +125 °C
 Maximum operating voltage 5 V (series)
 Thread M14 x 1.5
 Seal 19mm Hex
 Weight 26 g
 Connector Mini – Timer 2 way
 Max tightening torque 07 / 04 24 Nm

Ordering information

Part No.	Connector	Description	Order Code
ATS04	2 way minitimer	Air temperature sensor – long	83800241000
ATS07	2 way minitimer	Air temperature sensor – short	215810400101
ATS05	2 way metripack	Air temperature sensor – loop type	219244250500

For further details please contact

MM Competition Systems Ltd
 Unit 3, Old Station Business Park,
 Compton, Berkshire,
 RG20 6NE
 England

Tel: +44 (0)8707 444666
 Fax: +44 (0)8707 444888
 www.mmcompsys.com
 mail@mmcompsys.com