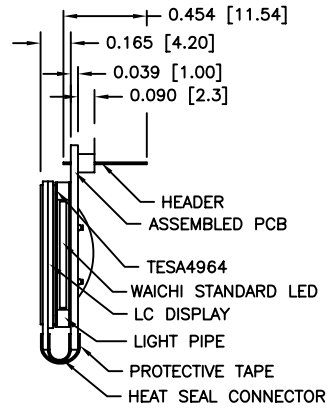
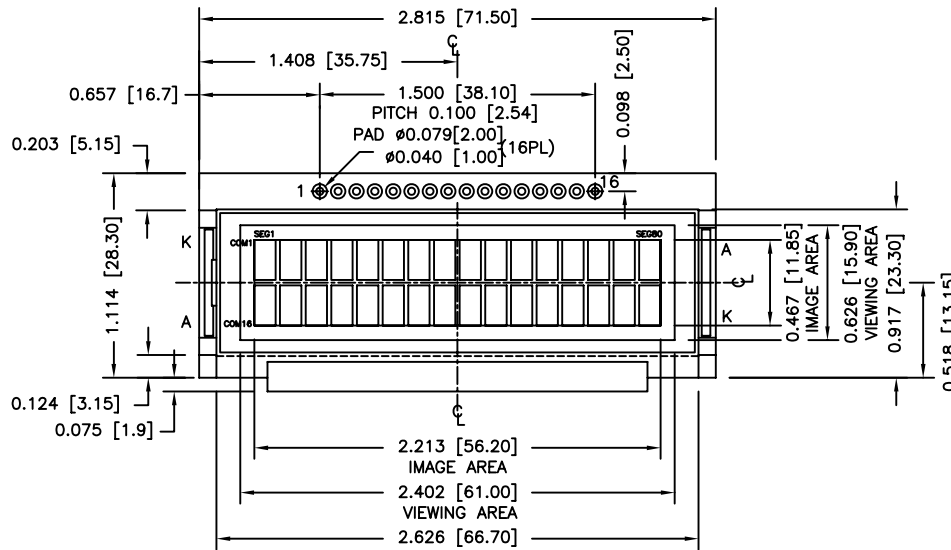


D	OECR#0791	LPX	05/22/01	REV	DESCRIPTION:	BY	DATE
E	OECR#2190	TYH	Aug/01/03	-	RELEASED	S.L.	04/06/00
F	OECR#2222	TYH	Aug/22/03	A	OECR#0431	LPX	07/21/00
G	OECR#3291	GK	03/17/06	B	OECR#0561	LPX	11/04/00
		C		C	OECR#0574	LPX	11/13/00

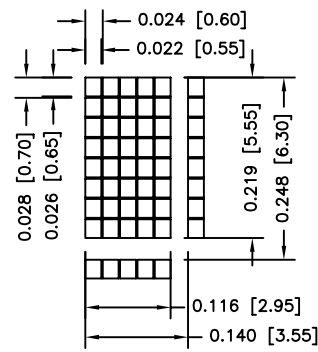
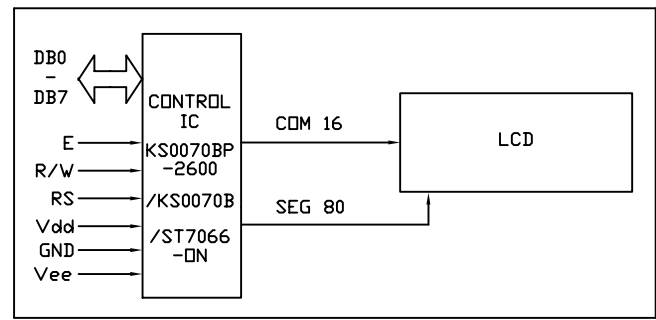


PIN#	SYMBDL	FUNCTIONS
1	V _{ss}	0V
2	V _{cc}	+5V
3	V _{gr}	
4	RS	H: DATA INPUT L: INSTRUCTION INPUT
5	R/W	H: READ L: WRITE
6	E	ENABLE SIGNAL
7	DB0	DATA BUS LINES
8	DB1	
9	DB2	
10	DB3	
11	DB4	
12	DB5	
13	DB6	
14	DB7	
15	+ (A)	
16	- (K)	LED

P/N	ASM	IC
OMA0140	A0140ASM	KS0070BP-26CC
OMA0140-2	A0140ASM-2	KS0070B
OMA0140-3	A0140ASM-3	ST7066-ON

BILL OF MATERIALS		
ITEM No.	PART No.	DESCRIPTION
1	A0140LCD	LC DISPLAY
2	ASM	PCB ASSEMBLY
3	A0149HSC	HEAT SEAL CONNECTOR
4	A0140TAP2	DOUBLE SIDE TAPE 2
5	A0140PTP	PROTECTIVE TAPE
6	A0140LP	LIGHT PIPE
7	A0140HD	PIN TYPE CONNECTOR
8	WPO08-YG	WAICHI STANDARD LED

- NOTES:
- ALL DIMENSIONS IN INCHES [MM].
 - TOLERANCES UNLESS OTHERWISE SPECIFIED ±0.008 [0.20]
 - LCD TYPE: YELLOW-GREEN STN & POSITIVE TRANSLFLECTIVE MODE
 - DRIVE METHOD: 1/16 MUX; 1/5 BIAS
 - VIEWING ANGLE: 12:00
 - LED TYPE: YELLOW-GREEN EDGE TYPE LED
 - OPERATING TEMPERATURE: 0°C TO 50°C.
 - STORAGE TEMPERATURE: -20°C TO 70°C.
 - OMA0140-6 LED USE +3.5V; OTHER LED USE +5V.
 - RoHS COMPLIANCE**



OCULAR

THIS DOCUMENT IS CONFIDENTIAL PROPRIETARY INFORMATION OF OCULAR CORPORATION AND SHALL NOT BE DISCLOSED OR COPIED OR USED FOR ANY PURPOSE OTHER THAN FOR WHICH IT IS SPECIFICALLY FURNISHED WITHOUT THE PRIOR WRITTEN CONSENT OF OCULAR CORPORATION.

UNLESS OTHERWISE NOTED:		ENGR MANAGER:	DATE:
UNITS	DECIMAL	DWN BY:	S.LIN DATE: 04/03/00
INCHES	.X [X.] ±0.03 [0.76] .XX [X.X] ±0.010 [0.25] .XXX [X.XX] ±0.008 [0.20]	DRAWING TITLE: OMA0140-R CUSTOM MODULE	
ANGLES	PLATED THRU HOLES +0.003 [0.08] NON-PLATED THRU HOLES -0.001 [0.03]	DRAWING No.:	A0140-R REV: G
THIRD ANGLE PROJECTION	±0.5°	SCALE :	SHEET: 1 OF 1