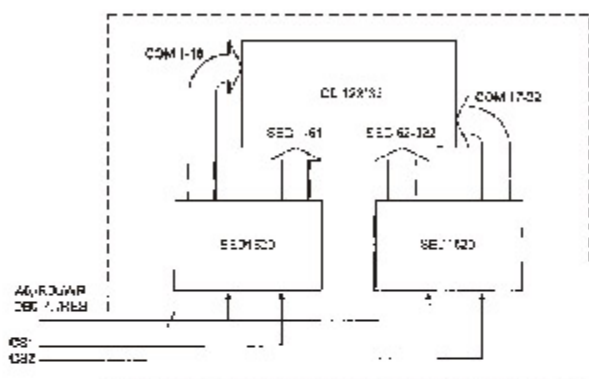


FEATURE

1. Construction : STN/FSTN LCD, Bezel, Zebra and PCB.
2. Optional LED or EL back-light.
3. Controller : SED1520DOA or equivalent.
4. Besides +5V for logic circuit, -5V is needed for LCD driving.
(Optional DC/DC Converter)
5. Normal / Extended temperature type.

BLOCK DIAGRAM & POWER SUPPLY

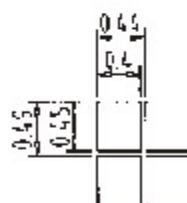
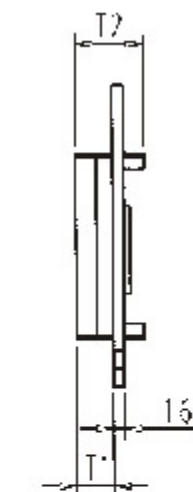
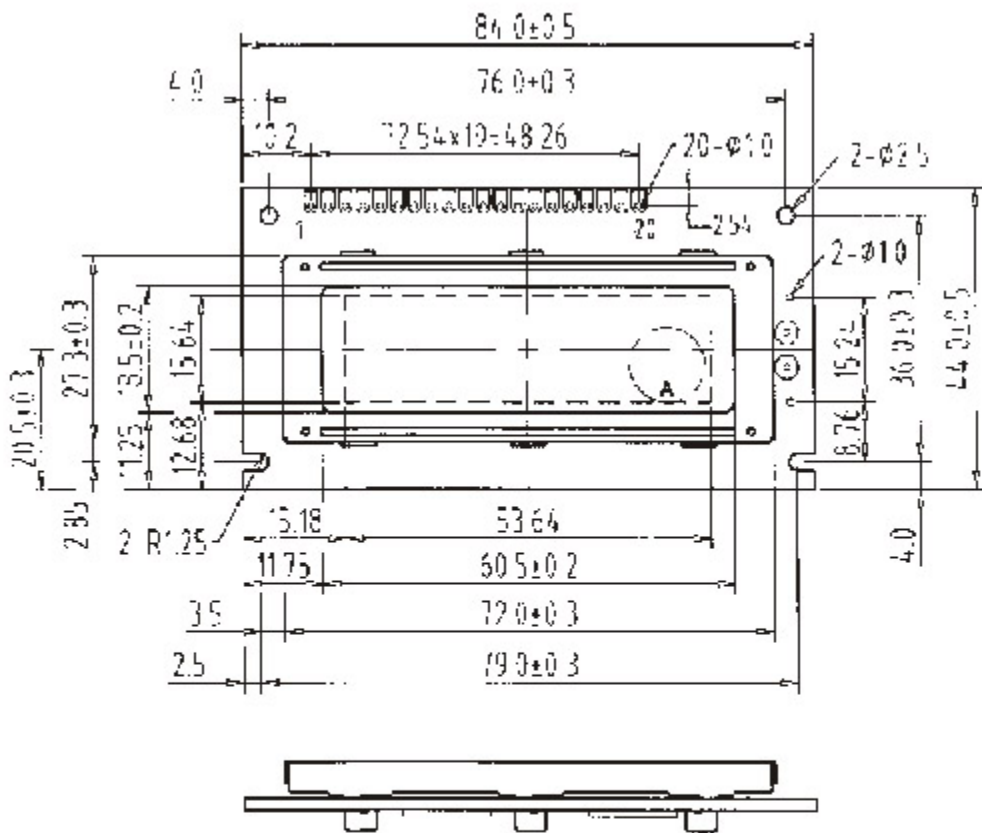
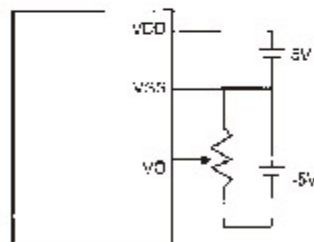


ELECTRICAL CHARACTERISTICS

Item	Symbol	Condition	Typ. Value	Unit.
LCD Driving Voltage	VDD-VO	25°C	6.4	V
Supply Current	IDD	VDD=5.0V	0.5	mA

INTERFACE

1	2	3	4	5	6	7	8	9	10
VSS	VDD	VO	AO	CS1	CS2	CL	/RD	/WR	DE0
11	12	13	14	15	16	17	18	19	20
DB1	DB2	DB3	DB4	DB5	DB6	DB7	RES	LEDA	LEDK



A BLOCK

THICKNESS:

VERSION	T1	T2
EL & NO BACKLIGHT	5.4±0.3	10.5Max
LED BACKLIGHT	10.4±0.3	15.5Max