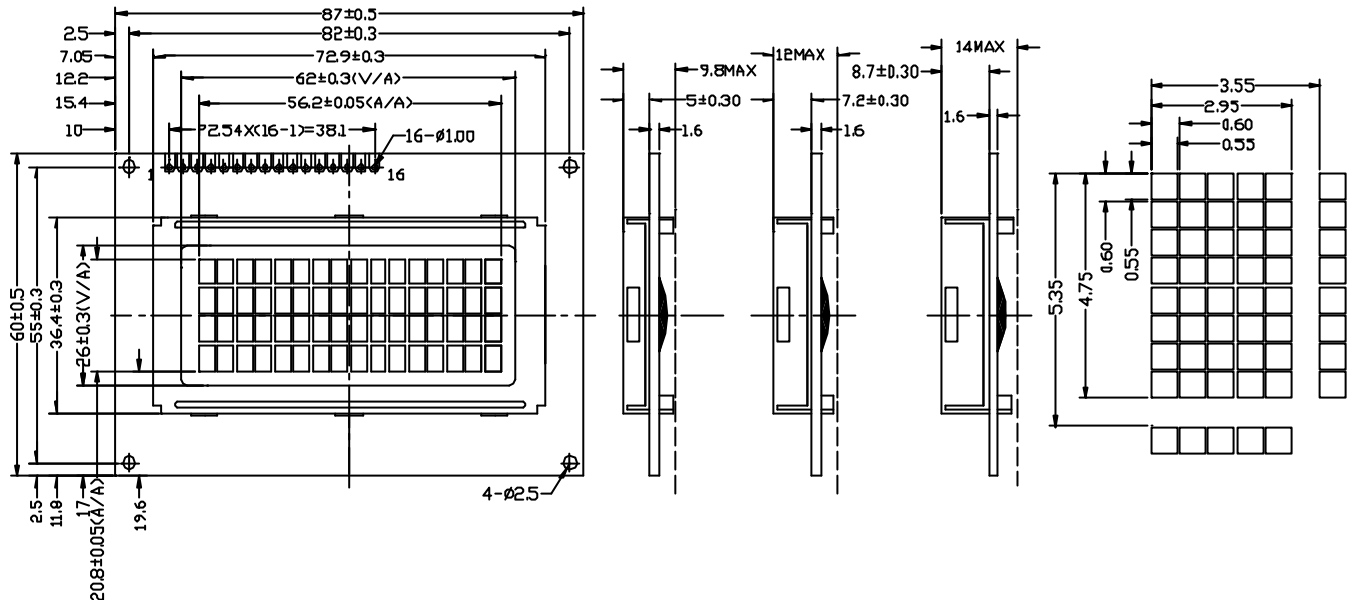


# YC-1604A Series

## 1. Mechanical Specifications

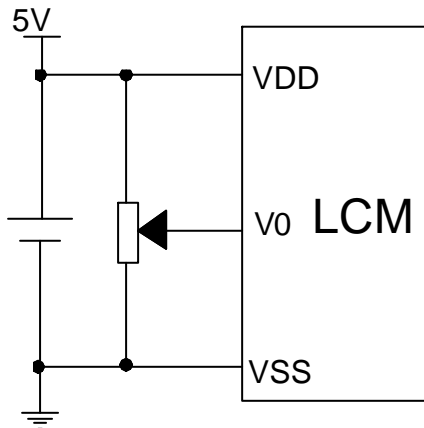
| Display Area(mm)          |                              | Outline(mm)                      |
|---------------------------|------------------------------|----------------------------------|
| 16CharactersX4Lines       | Active Area: 2.95(W)X4.75(H) | Outline Dimension: 87(W)X60(H)   |
| Duty: 1/16                | Dot Size: 0.55(W)X0.55(H)    | Thickness With B/L: 12Max/ 14Max |
| Viewing Area: 62(W)X26(H) | Dot Pitch: 0.60(W)X0.60(H)   | Thickness Without B/L: 9.8Max    |

## 2. External Dimension

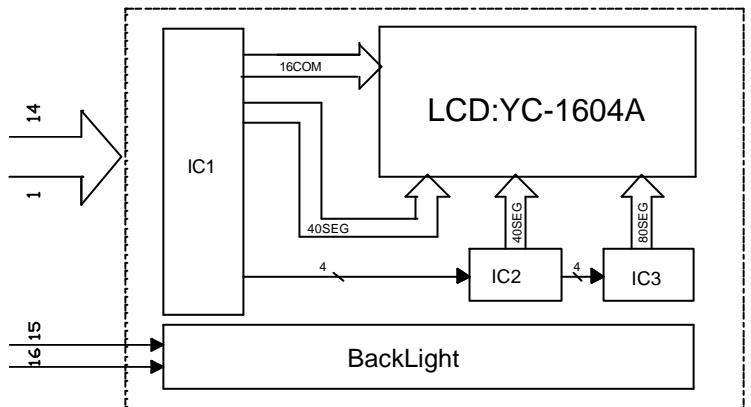


| PIN  | 1   | 2   | 3  | 4  | 5  | 6 | 7   | 8   | 9   | 10  | 11  | 12  | 13  | 14  | 15   | 16   |
|------|-----|-----|----|----|----|---|-----|-----|-----|-----|-----|-----|-----|-----|------|------|
| NAME | VSS | VDD | V0 | RS | RW | E | DB0 | DB1 | DB2 | DB3 | DB4 | DB5 | DB6 | DB7 | LED+ | LED- |

## 3. Power Supply



## 4. Block Diagram



## 5. Electrical Characteristics

| Item                   | Symbol           | Min. | Typ. | Max. | Unit | Condition           |
|------------------------|------------------|------|------|------|------|---------------------|
| Supply Voltage(Logic)  | V <sub>dd</sub>  | 4.5  | 5    | 5.5  | V    |                     |
| Supply Current(Logic)  | I <sub>dd</sub>  | -    | -    | 3    | mA   | V <sub>dd</sub> =5V |
| LCD Operating Voltage  | V <sub>op</sub>  | -    | 4.5  | -    | V    | T <sub>a</sub> =25  |
| Supply Current for LCD | I <sub>ee</sub>  | -    | -    | 3    | mA   | V <sub>dd</sub> =5V |
| Power Supply for B/L   | V <sub>B/L</sub> | -    | 4.2  | -    | V    |                     |