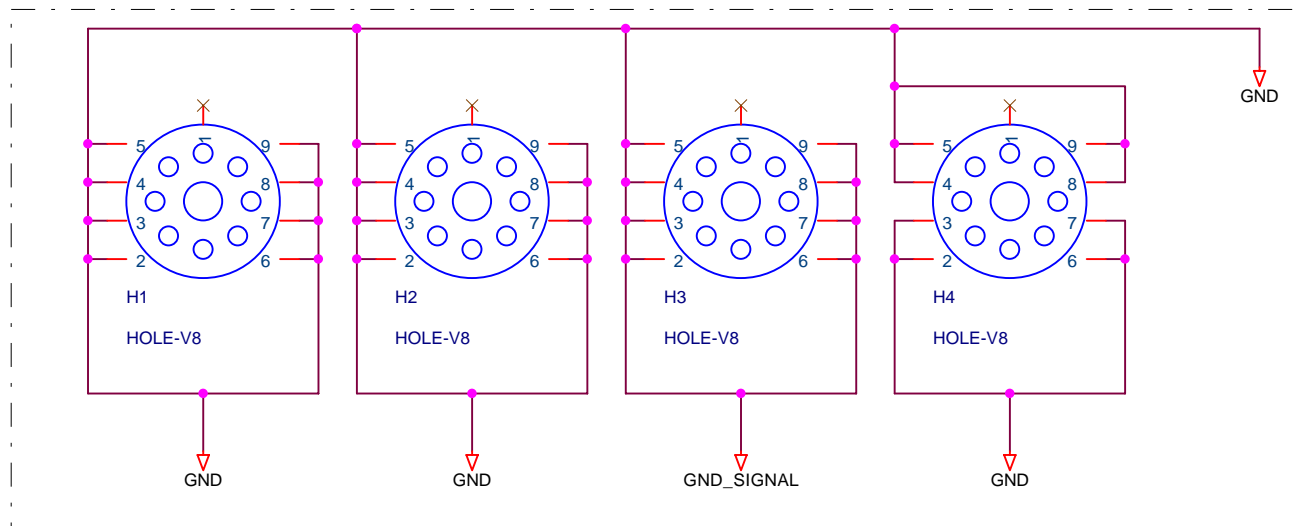
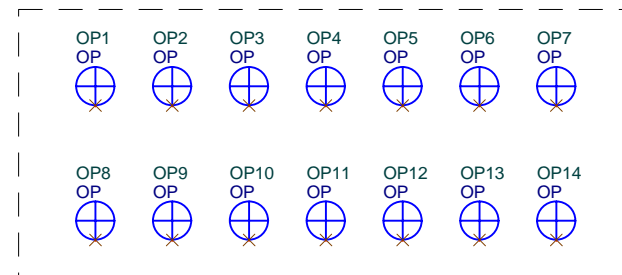


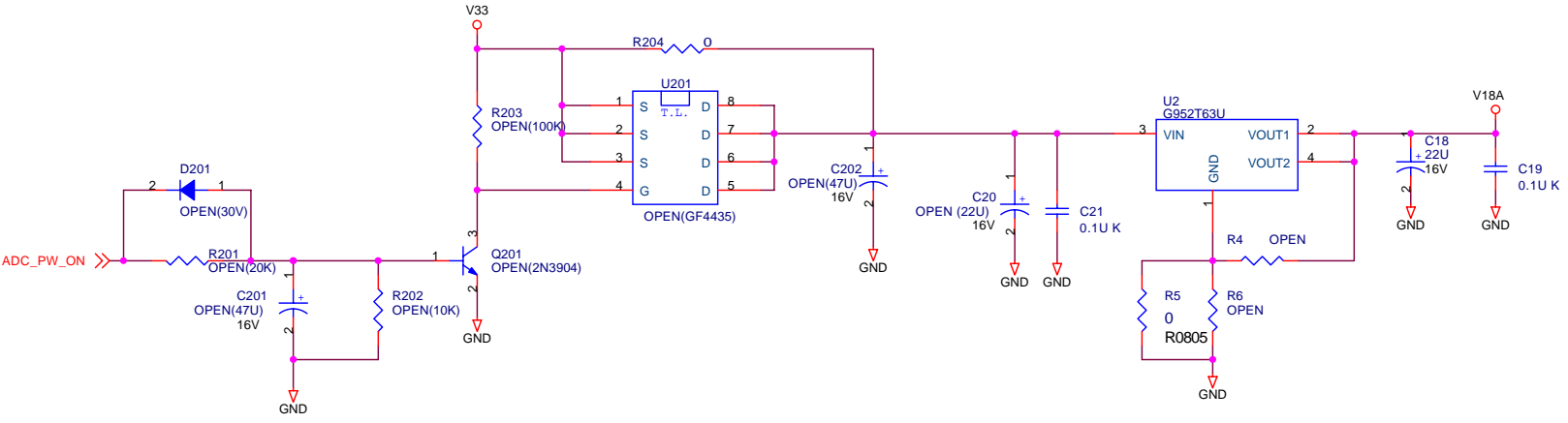
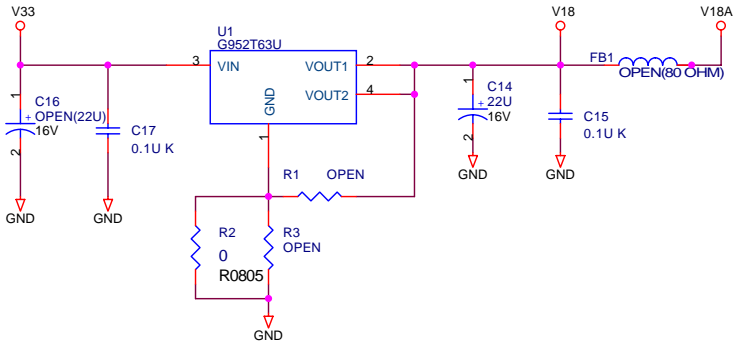
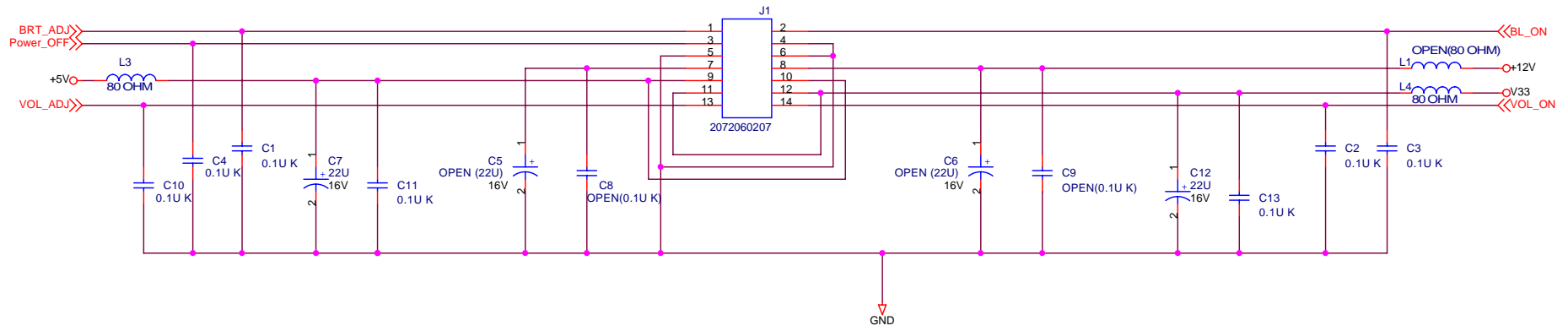
Screw Holes



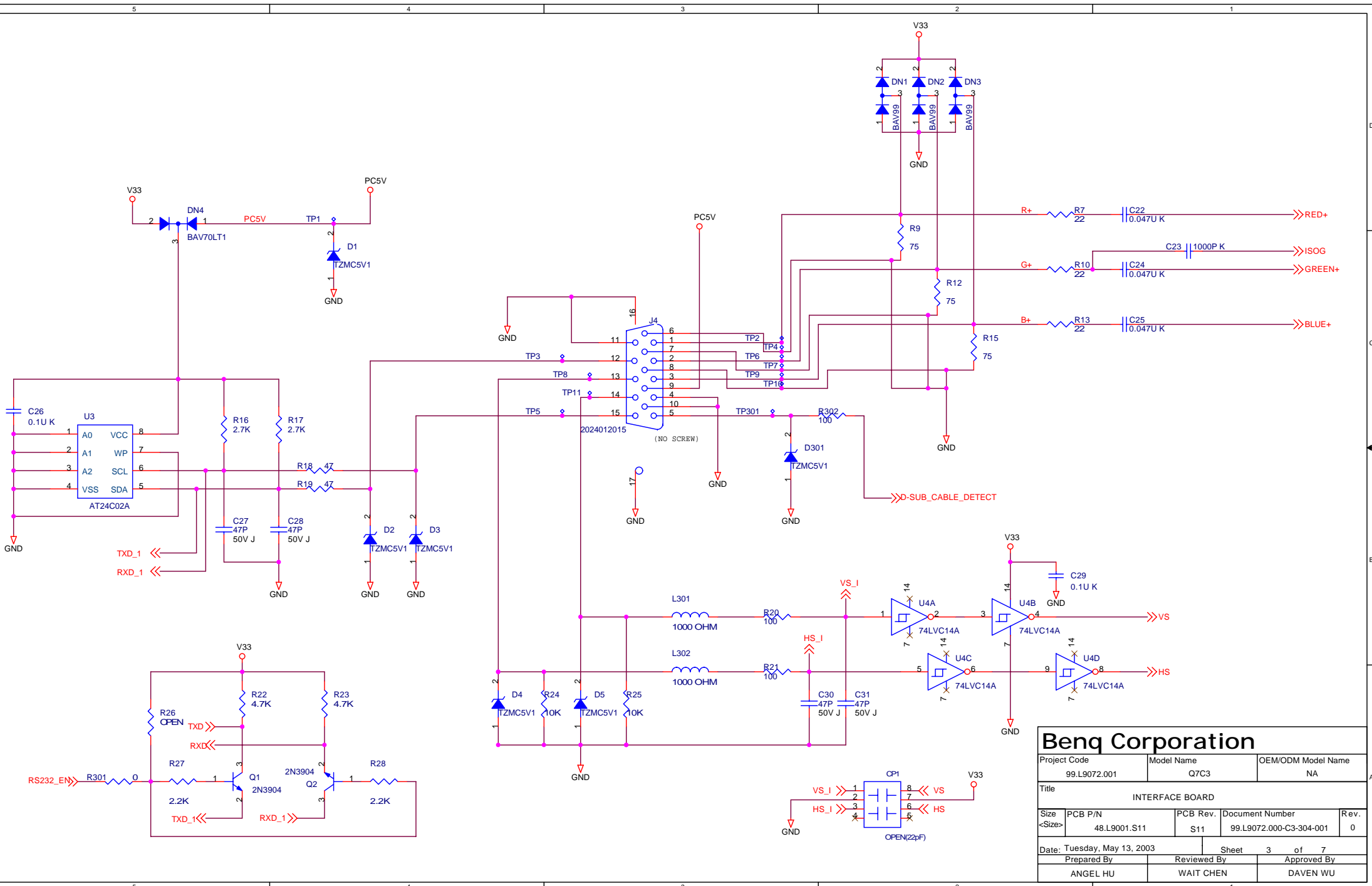
Optical Points



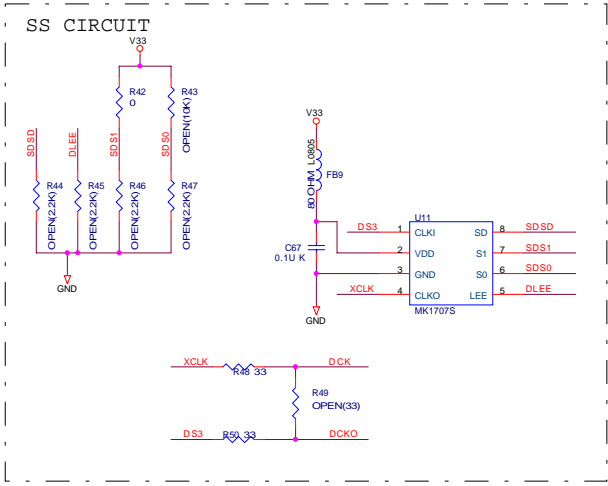
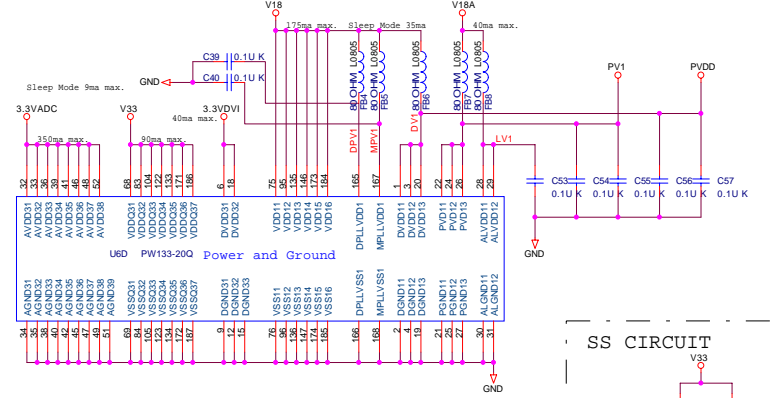
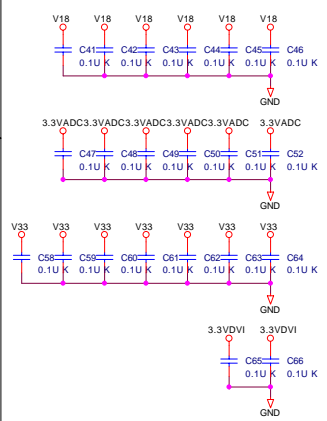
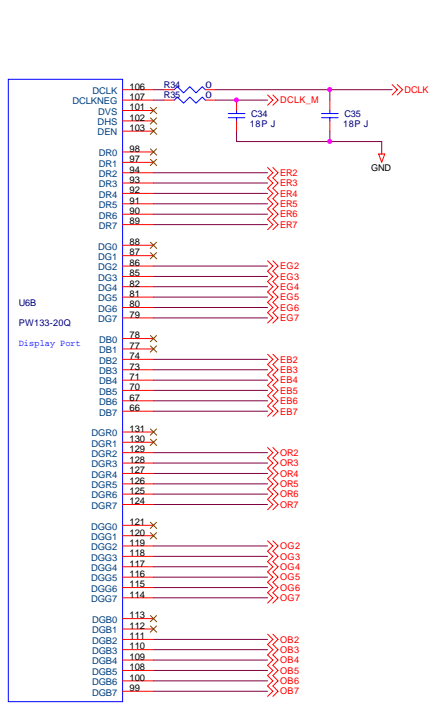
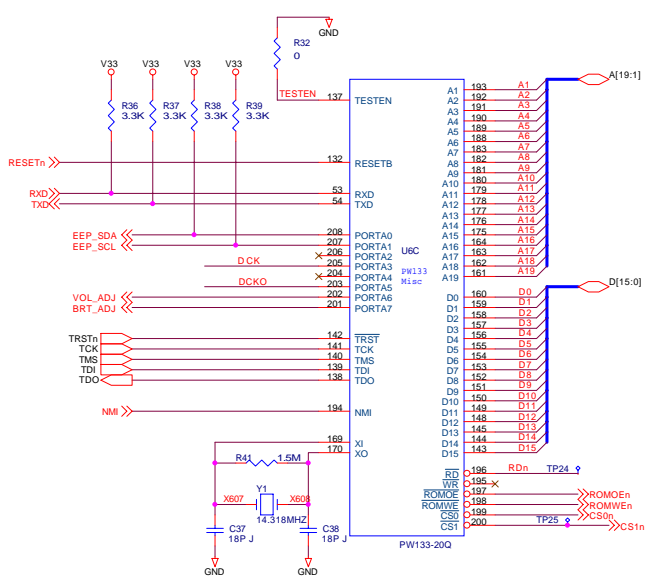
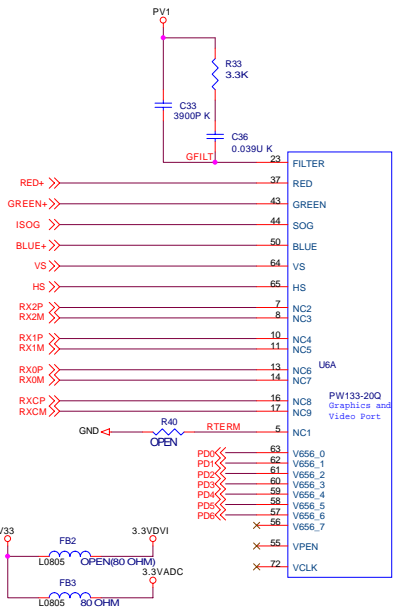
Benq Corporation				
Project Code 99.L9072.001		Model Name Q7C3		OEM/ODM Model Name NA
Title INTERFACE BOARD				
Size <Size>	PCB P/N 48.L9001.S11	PCB Rev. S11	Document Number 99.L9072.000-C3-304-001	Rev. 0
Date: Tuesday, May 13, 2003			Sheet 1 of 7	
Prepared By ANGEL HU		Reviewed By WAIT CHEN		Approved By DAVEN WU



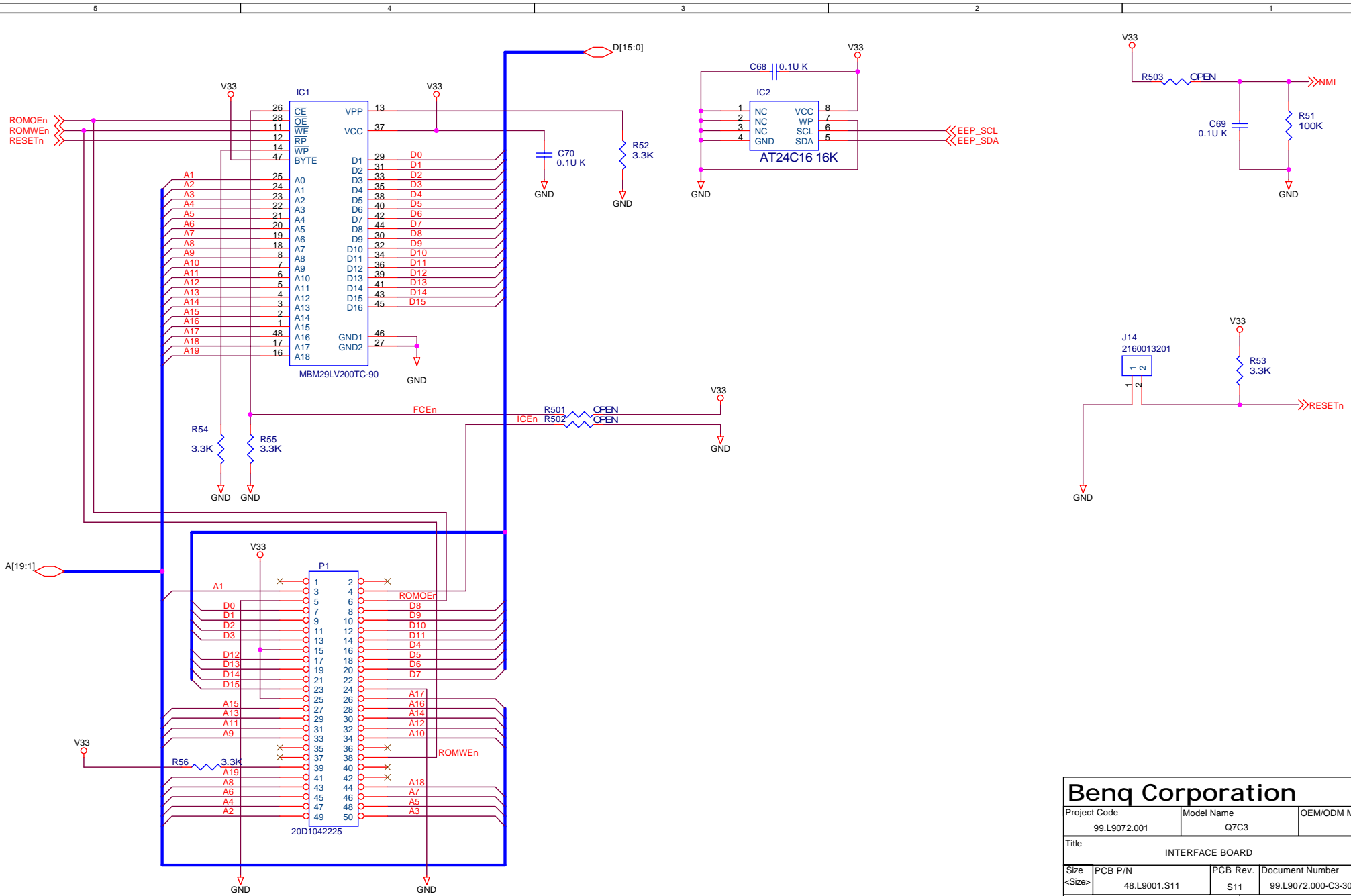
Benq Corporation				
Project Code	Model Name	OEM/ODM Model Name		
99.L9072.001	Q7C3	NA		
Title				
INTERFACE BOARD				
Size	PCB P/N	PCB Rev.	Document Number	Rev.
<Size>	48.L9001.S11	S11	99.L9072.000-C3-304-001	0
Date: Tuesday, May 13, 2003		Sheet 2 of 7		
Prepared By		Reviewed By		Approved By
ANGEL HU		WAIT CHEN		DAVEN WU



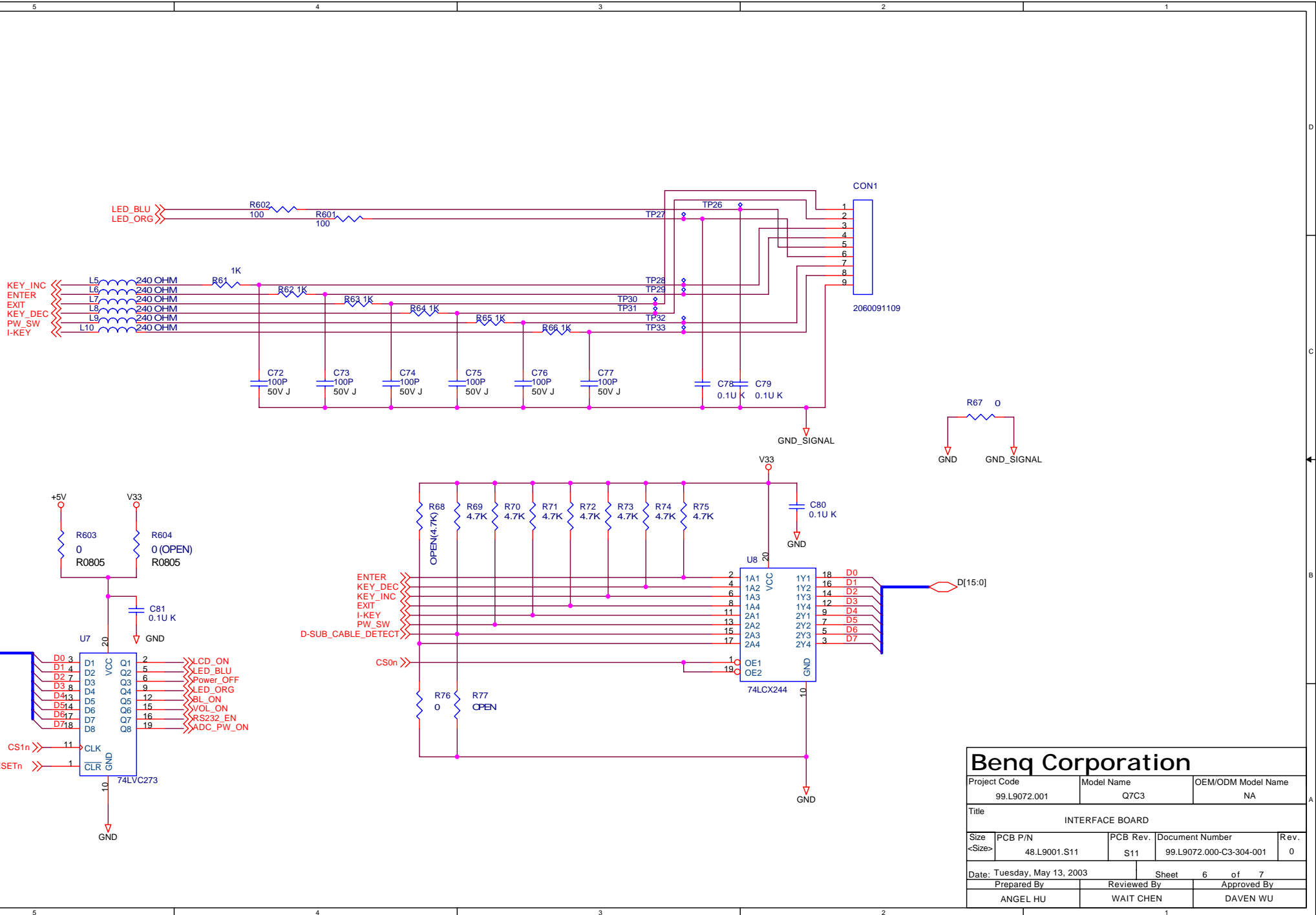
Benq Corporation			
Project Code	Model Name	OEM/ODM Model Name	
99.L9072.001	Q7C3	NA	
Title			
INTERFACE BOARD			
Size	PCB P/N	PCB Rev.	Document Number
<Size>	48.L9001.S11	S11	99.L9072.000-C3-304-001
Date:	Tuesday, May 13, 2003	Sheet	3 of 7
Prepared By	Reviewed By	Approved By	
ANGEL HU	WAIT CHEN	DAVEN WU	



Benq Corporation			
Project Code	Model Name	OEM/ODM Model Name	
99.L9072.001	Q7C3	NA	
Title			
INTERFACE BOARD			
Size	PCB P/N	PCB Rev.	Document Number
<Size>	48.L9001.S11	S11	99.L9072.000-C3-304-001
Rev.			0
Date:	Tuesday, May 13, 2003	Sheet	4 of 7
Prepared By	Reviewed By	Approved By	
ANGEL HU	WAI CHEN	DAVEN WU	

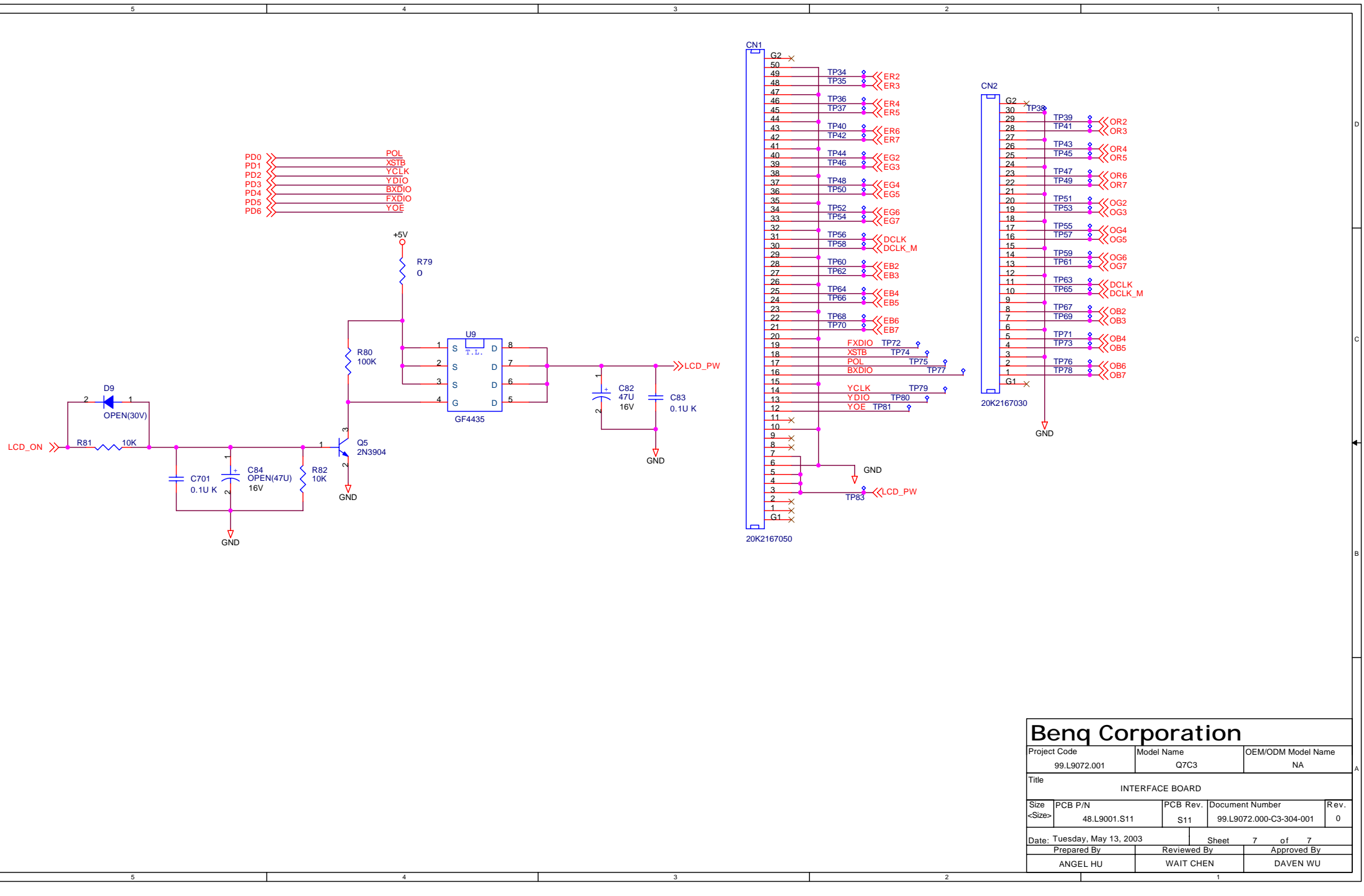


Benq Corporation				
Project Code	Model Name	OEM/ODM Model Name		
99.L9072.001	Q7C3	NA		
Title				
INTERFACE BOARD				
Size	PCB P/N	PCB Rev.	Document Number	Rev.
<Size>	48.L9001.S11	S11	99.L9072.000-C3-304-001	0
Date: Tuesday, May 13, 2003		Sheet 5 of 7		
Prepared By		Reviewed By		Approved By
ANGEL HU		WAIT CHEN		DAVEN WU

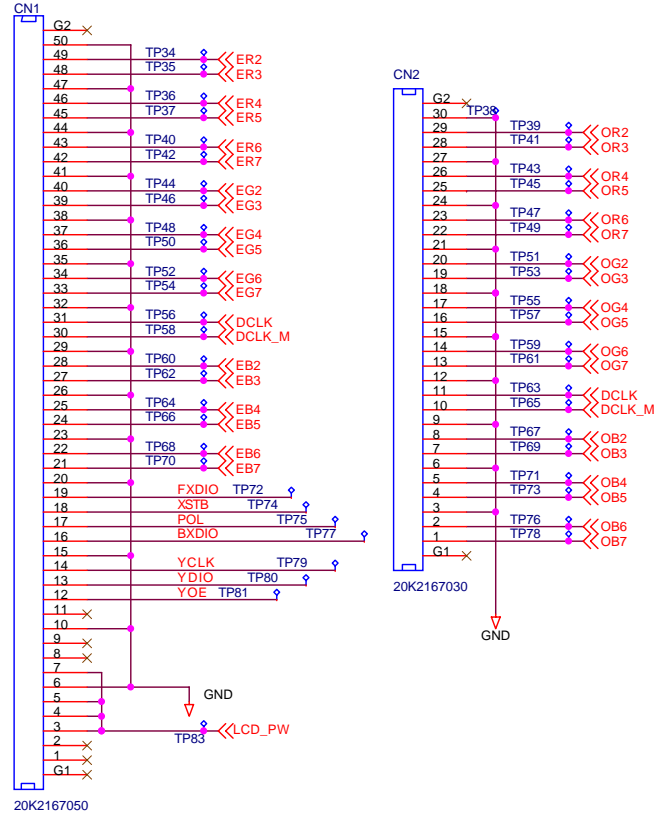


Benq Corporation

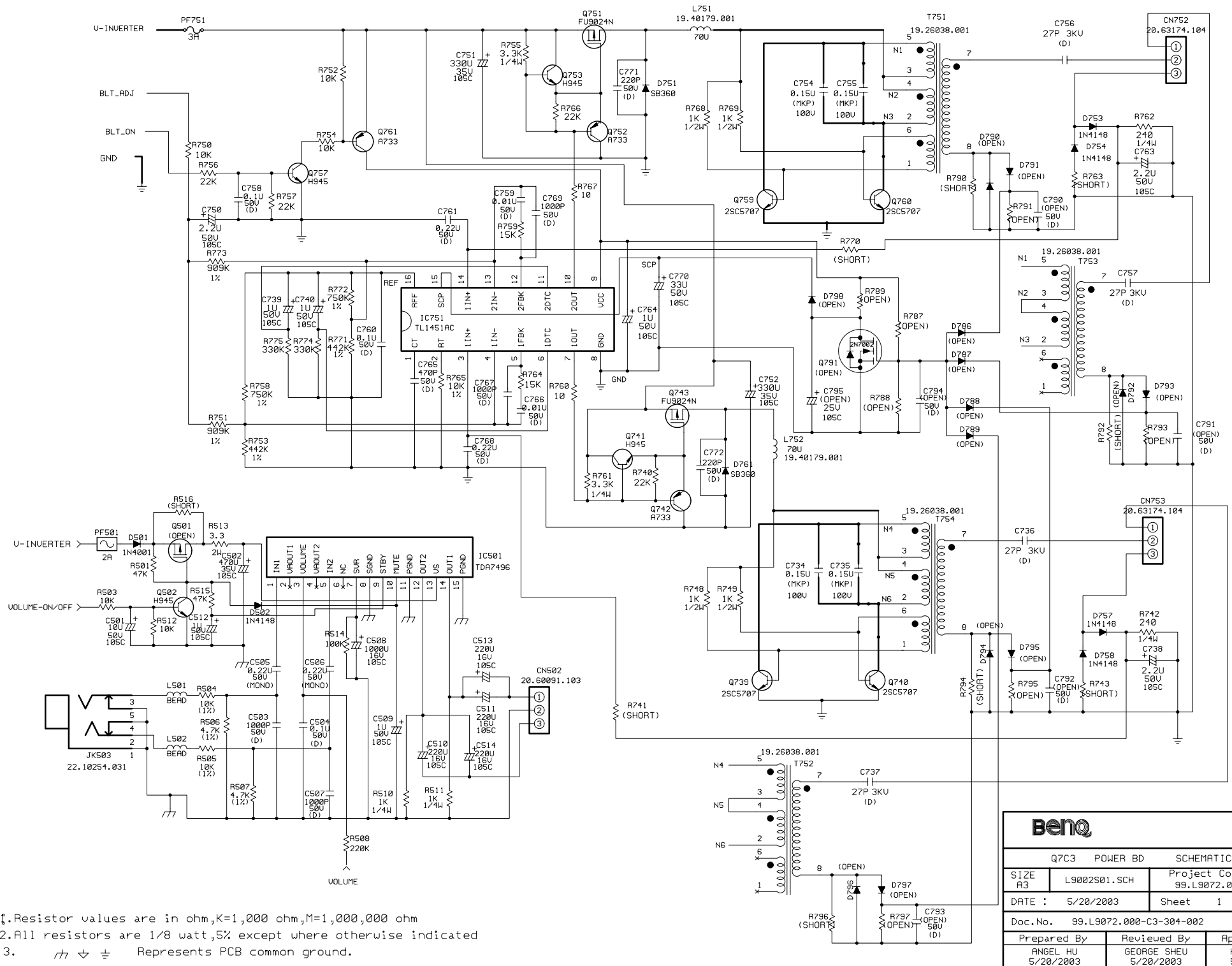
Project Code	Model Name	OEM/ODM Model Name
99.L9072.001	Q7C3	NA
Title		
INTERFACE BOARD		
Size	PCB P/N	PCB Rev.
<Size>	48.L9001.S11	S11
Date	Document Number	Rev.
Tuesday, May 13, 2003	99.L9072.000-C3-304-001	0
Prepared By	Reviewed By	Approved By
ANGEL HU	WAIT CHEN	DAVEN WU



PD0 >> POL
 PD1 >> XSTB
 PD2 >> YCLK
 PD3 >> YDIO
 PD4 >> BXDIO
 PD5 >> FXDIO
 PD6 >> YOE

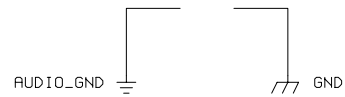
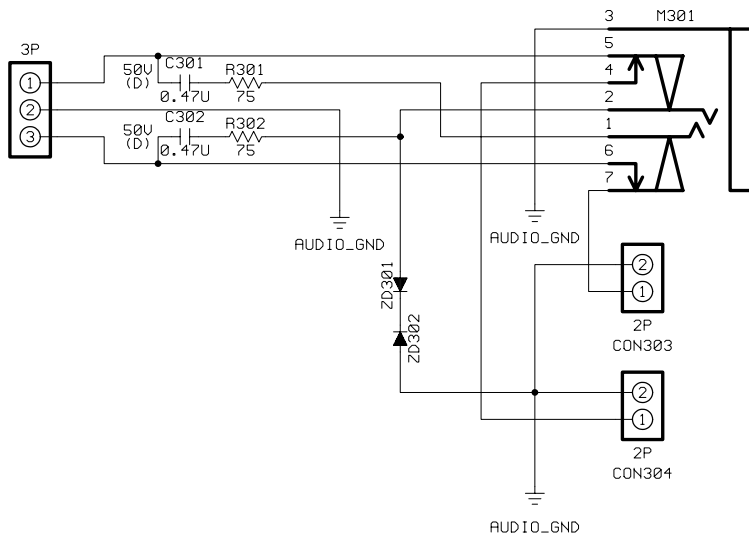
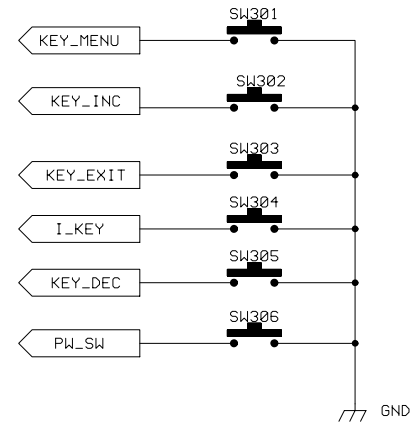
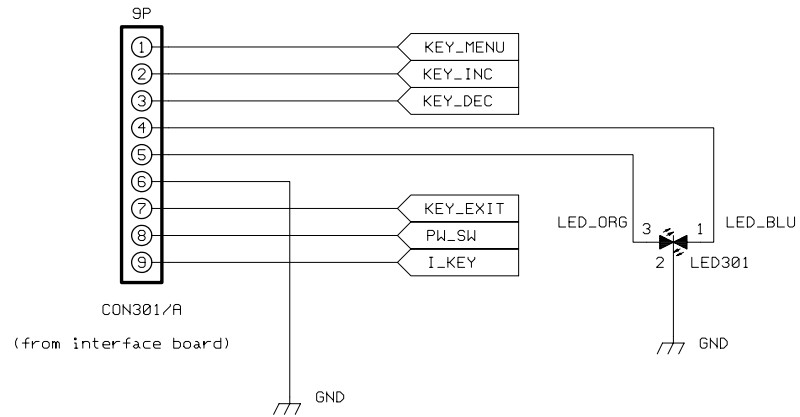


Benq Corporation				
Project Code 99.L9072.001		Model Name Q7C3		OEM/ODM Model Name NA
Title INTERFACE BOARD				
Size <Size>	PCB P/N 48.L9001.S11	PCB Rev. S11	Document Number 99.L9072.000-C3-304-001	Rev. 0
Date: Tuesday, May 13, 2003		Sheet 7 of 7		
Prepared By ANGEL HU		Reviewed By WAIT CHEN		Approved By DAVEN WU



NOTES: 1. Resistor values are in ohm, K=1,000 ohm, M=1,000,000 ohm
 2. All resistors are 1/8 watt, 5% except where otherwise indicated
 3. ∇ ∇ ∇ Represents PCB common ground.

BenQ			
Q7C3 POWER BD SCHEMATICS			
SIZE A3	L9002S01.SCH	Project Code. 99.L9072.001	REV. 0
DATE : 5/20/2003	Sheet 1 OF 2		
Doc.No. 99.L9072.000-C3-304-002			
Prepared By ANGEL HU 5/20/2003	Reviewed By GEORGE SHEU 5/20/2003	Approved By H.J. WONG 5/20/2003	



- NOTES:
1. Resistor values are in ohm, K=1,000 ohm, M=1,000,000 ohm
 2. All resistors are 1/8 watt, 5% except where otherwise indicated
 3. Represents PCB common ground.

BenQ			
Q7C3 CTRL BD SCHEMATICS			
SIZE A4	L9003S03.SCH	Project Code. 99.L9072.001	REV. 1
DATE : 6/13/2003		Sheet 1 OF 1	
Doc.No. 99.L9072.000-C3-304-003			
Prepared By ANGEL HU 6/13/2003	Reviewed By WAIT CHEN 6/13/2003	Approved By DAVEN WU 6/13/2003	