

High amperage alternators with or without advanced alternator regulator

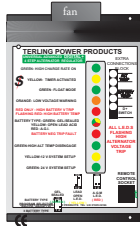
12 v 145 amp

GOOD LOW R.P.M. PERFORMANCE

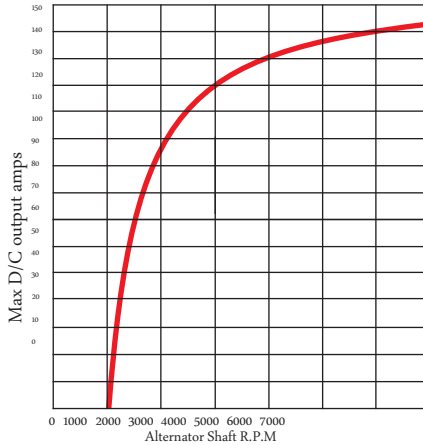


CS144 Delco

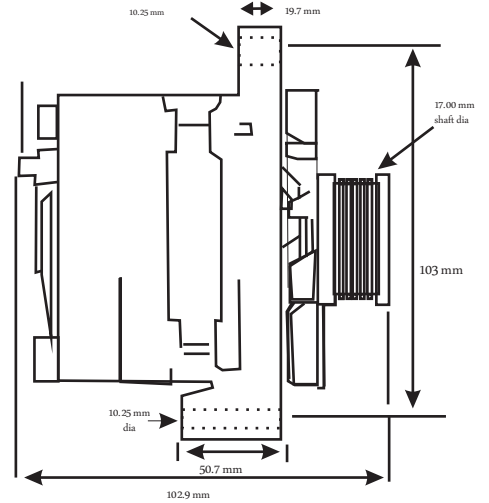
with or without
the best
advanced
alternator on the
market



PDAR
DIGITAL 4 STAGE
ADVANCED
ALTERNATOR
REGULATOR

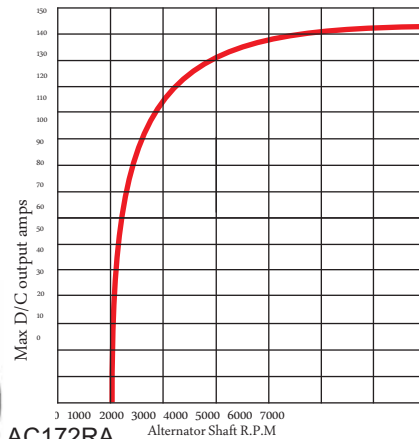


AI12140 12 v 140 AMP ALT WITH STANDARD REG
AL12140PDAR 12 v 140 AMP ALT WITH DIGITAL ADVANCED REG



24 v 140 amp

GOOD LOW R.P.M. PERFORMANCE



AC172RA
Bosch 0120 689 520
Prestolite 1277640
Equivalent product part numbers

AI24150 24 v 150 AMP ALT WITH STANDARD REG
AL24150PDAR 24 v 150 AMP ALT WITH DIGITAL ADVANCED REG

