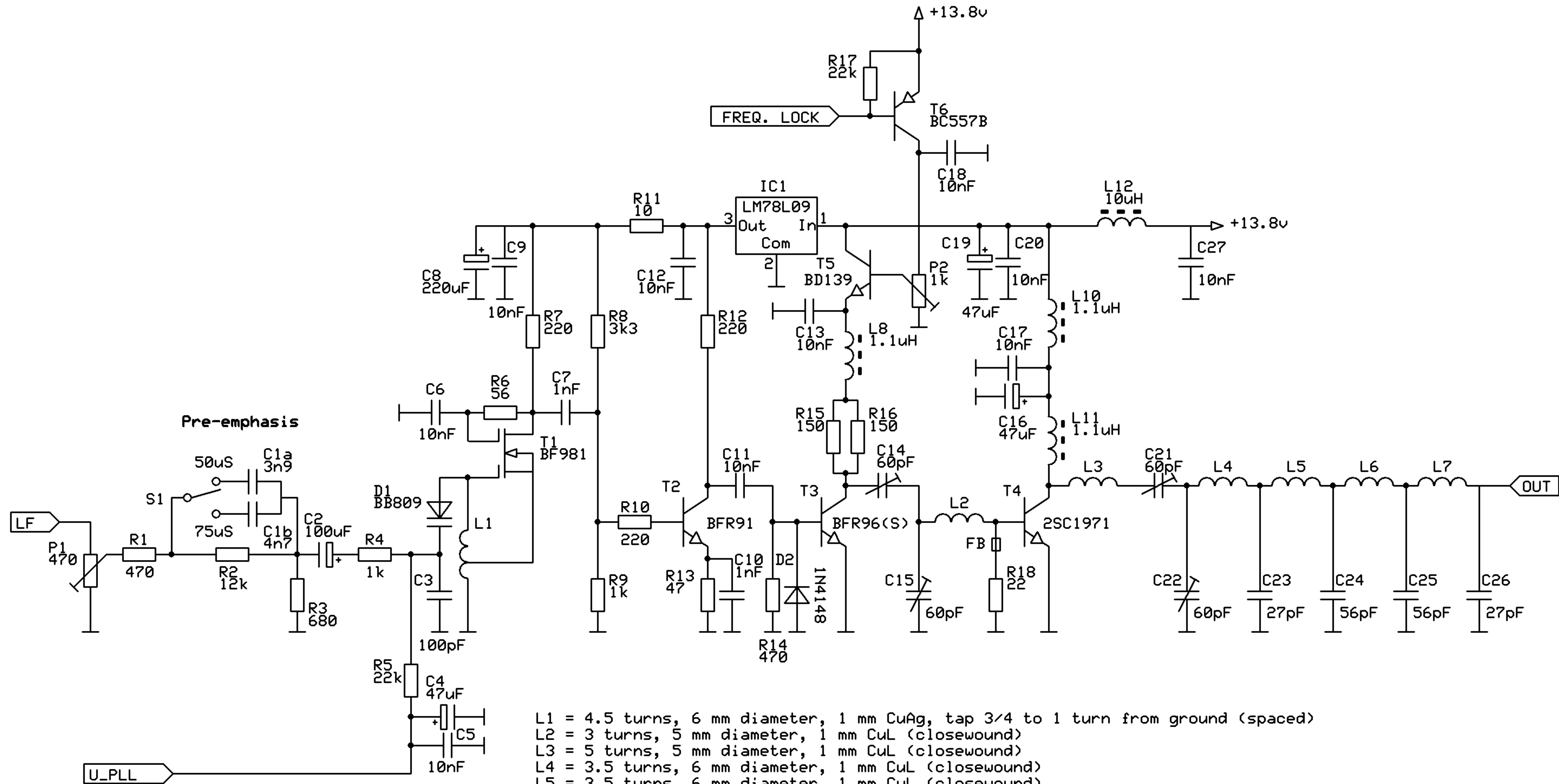


**NOTE: COMPONENT DESIGNATORS DON'T REFLECT WITH THE ORIGINAL DESIGN OR PCB!**



- L1 = 4.5 turns, 6 mm diameter, 1 mm CuAg, tap 3/4 to 1 turn from ground (spaced)
- L2 = 3 turns, 5 mm diameter, 1 mm CuL (closewound)
- L3 = 5 turns, 5 mm diameter, 1 mm CuL (closewound)
- L4 = 3.5 turns, 6 mm diameter, 1 mm CuL (closewound)
- L5 = 3.5 turns, 6 mm diameter, 1 mm CuL (closewound)
- L6 = 3.5 turns, 6 mm diameter, 1 mm CuL (closewound)
- L7 = 3.5 turns, 6 mm diameter, 1 mm CuL (closewound)

FB = Ferroxcube bead, 3.5 mm diameter, 3 mm length

**DO NOT MODIFY!**

**(C)2006 Silicon Design  
8 WATTS-FM (RF PART)**

Harm

Rev 1.0

1/28/2006

Page 1 of 3

e-mail: tri0de@hotmail.com